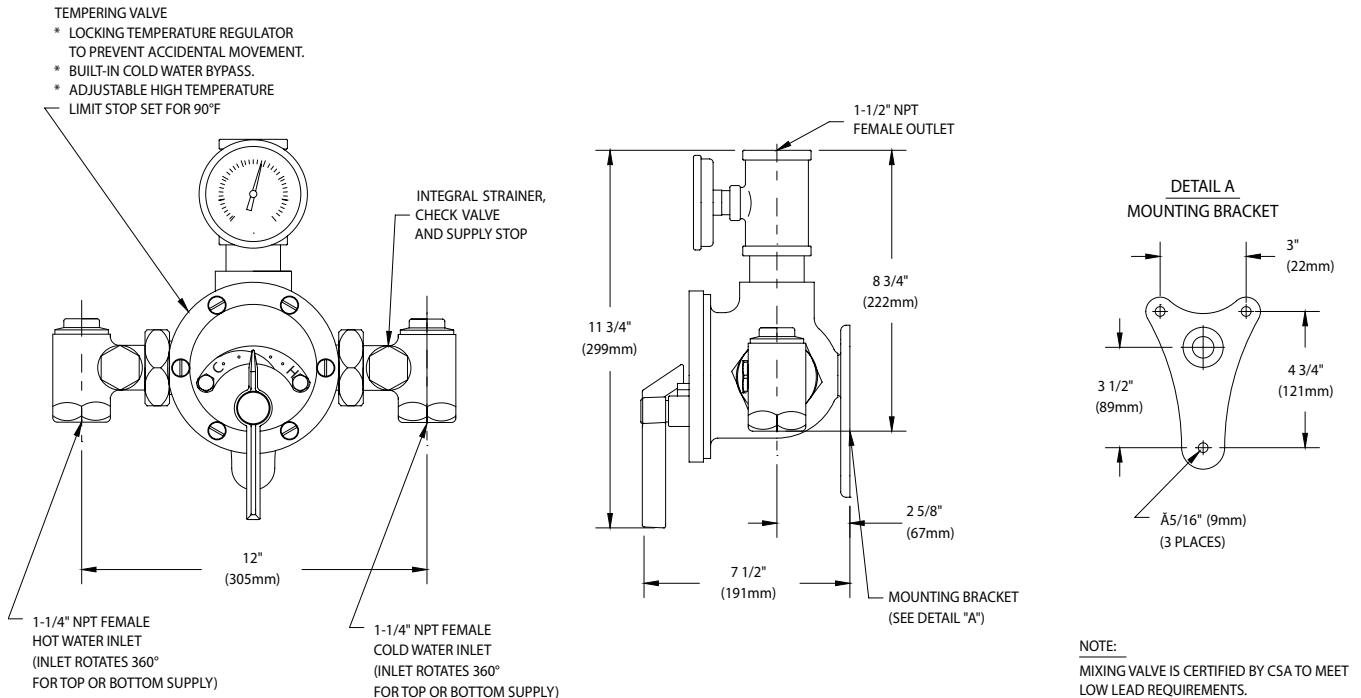


### AP3900 Tempering Valve, 81 Gallon Capacity



### Installation Instructions:

- As with all plumbing devices and emergency equipment, thoroughly flush supply lines prior to and after installation.
- Install mounting bracket on panel or wall. Thread tempering valve securely onto mounting bracket. Valve must be installed in a location where it is readily accessible for inspection, cleaning and maintenance.
- Connect hot and cold water supply lines to valve. Connect outlet line to valve and then to inlet of emergency equipment.
- Activate the water flow and check the temperature of the water delivered from the tempering valve and emergency equipment. Note that the temperature control pointer (handle) on the tempering valve has been factory preset to deliver 85°F (29°C) tepid water and the high temperature limit stop has been factory preset at 90°F (32°C). These temperatures are based upon an incoming hot water supply at 135°F (57°C). *Note: If the incoming hot water temperature is higher than 135°F (57°C), the valve (when turned to full hot) will deliver water that is warmer than 90°F (32°C). In this case, the high temperature limit stop must be reset by the installer.*
- To reset the high temperature limit stop:
  - Loosen set screw. Remove snap cap, pointer screw, washer and pointer (handle).
  - Activate the emergency fixture.
  - Temporarily place pointer on pointer rod and turn handle to the left, allowing cold water to flow. Then, slowly adjust handle to the right until the desired maximum temperature is reached. *Note: Temperatures above 90°F are not recommended. Consult a medical advisor for correct temperature settings.*
  - Once maximum temperature has been reached, remove pointer and replace on pointer rod such that its right edge rests against the stop screw located on the right side of the cover.
  - Tighten set screw and replace washer, pointer screw, and snap cap.

THIS SPACE FOR ARCHITECT/ENGINEER APPROVAL

Due to continuing product improvement, the information contained in this document is subject to change without notice. All dimensions are  $\pm 1/4"$  (6mm). Rev. 042120