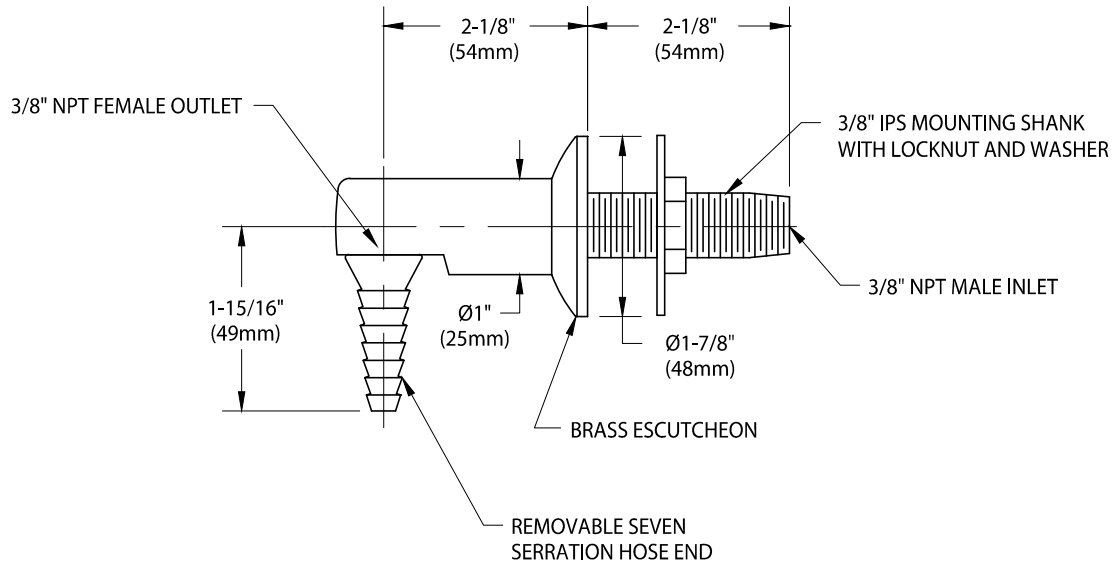




○ **CT050WSA** 90° Angle Outlet Fitting, Deck Or Panel Mounted, 2-1/8" Length



NOTES:

1. THIS FITTING MAY BE USED FOR EITHER DECK OR PANEL MOUNTING.
2. FITTING IS FURNISHED WITH A COLORTECH POWDER-COATED FINISH COLOR-CODED PER SERVICE INDEX COLOR AS STANDARD. OTHER FINISHES ARE AVAILABLE UPON REQUEST.

Measurements may vary ± 1/4".