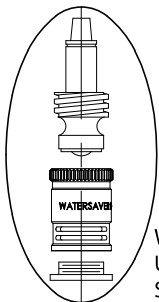
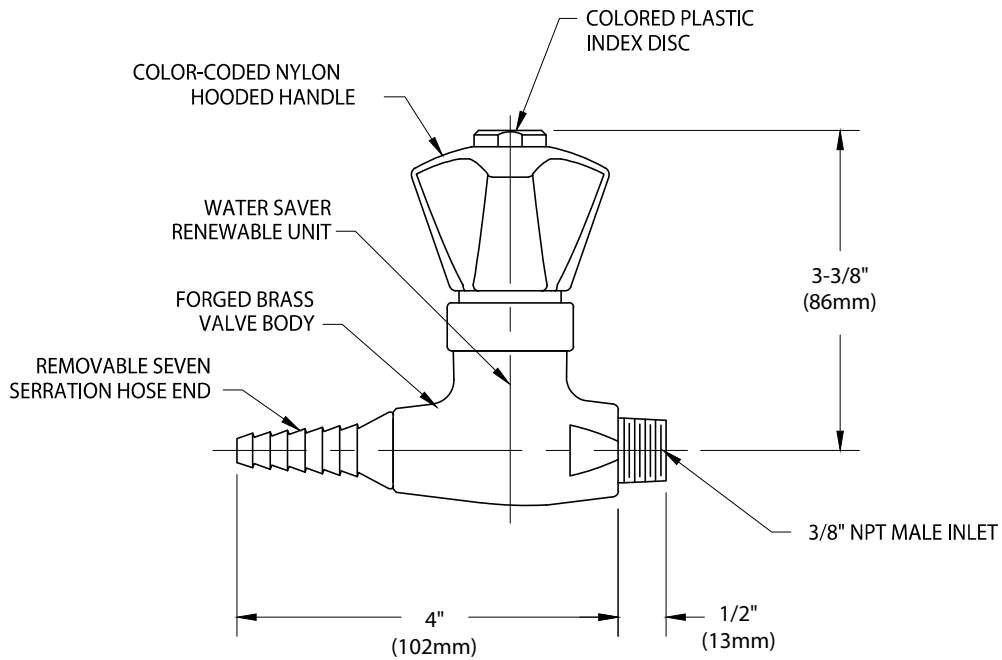




CT2800 Laboratory Water Valve, Straight Pattern



WATER SAVER RENEWABLE UNIT WITH REPLACEABLE STAINLESS STEEL SEAT



NOTES:

1. VALVE IS CERTIFIED BY CSA INTERNATIONAL TO COMPLY WITH ANSI Z21.15 AND CGA 9.1.
2. FIXTURE IS FULLY ASSEMBLED AND FACTORY TESTED PRIOR TO SHIPMENT.
3. VALVE HAS COLORTECH EPOXY POWDER COATED FINISH. SPECIFY COLOR (WHITE, GRAY OR TAN) WHEN ORDERING.

Measurements may vary $\pm 1/4"$.