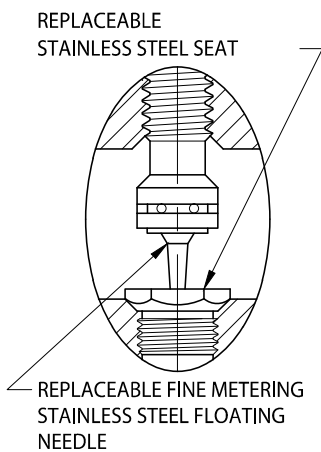
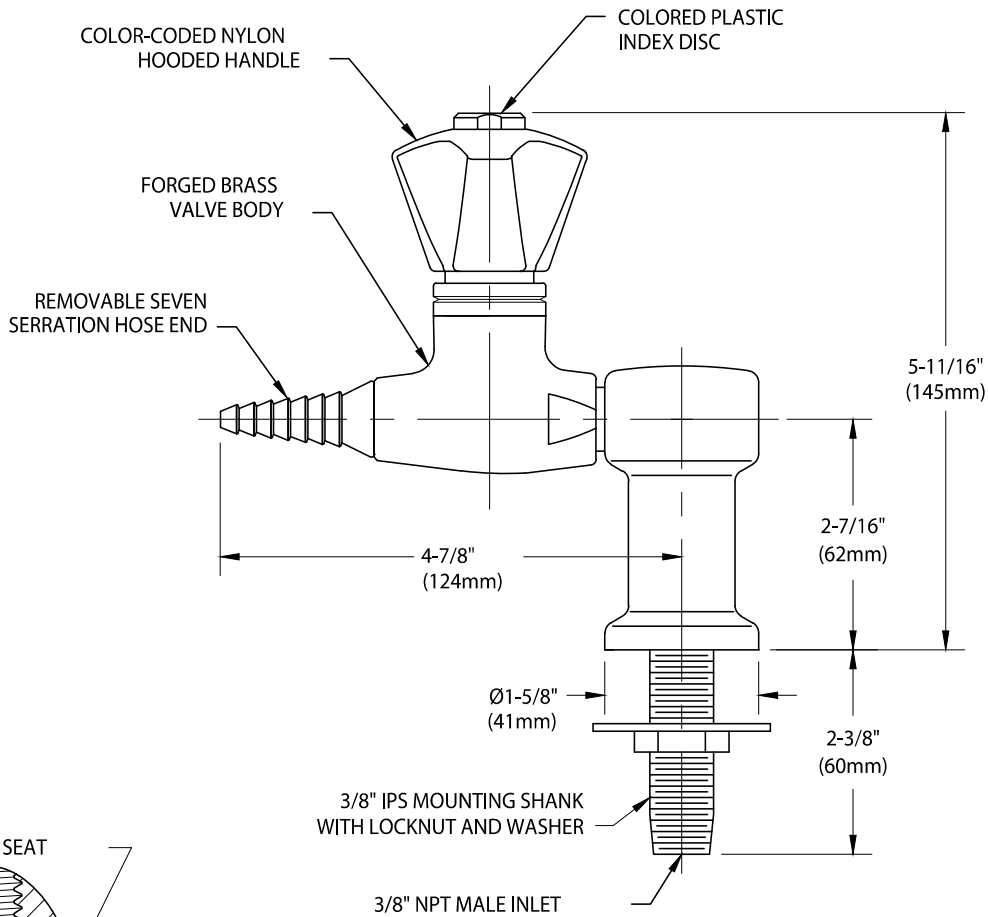
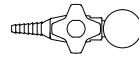




CT2870-231WSA Fine Control Needle Valve Assembly, Deck Mounted Single



NOTES:

1. FIXTURE IS CLEANED, DEGREASED AND PACKED FOR HIGH PURITY GAS SERVICE.
2. FIXTURE IS FULLY ASSEMBLED AND TESTED AT 375 PSI NITROGEN PRESSURE. MAXIMUM WORKING PRESSURE IS 250 PSI.
3. FIXTURE HAS COLORTECH EPOXY POWDER COATED FINISH. SPECIFY COLOR (WHITE, GRAY OR TAN) WHEN ORDERING.

Measurements may vary ± 1/4".