

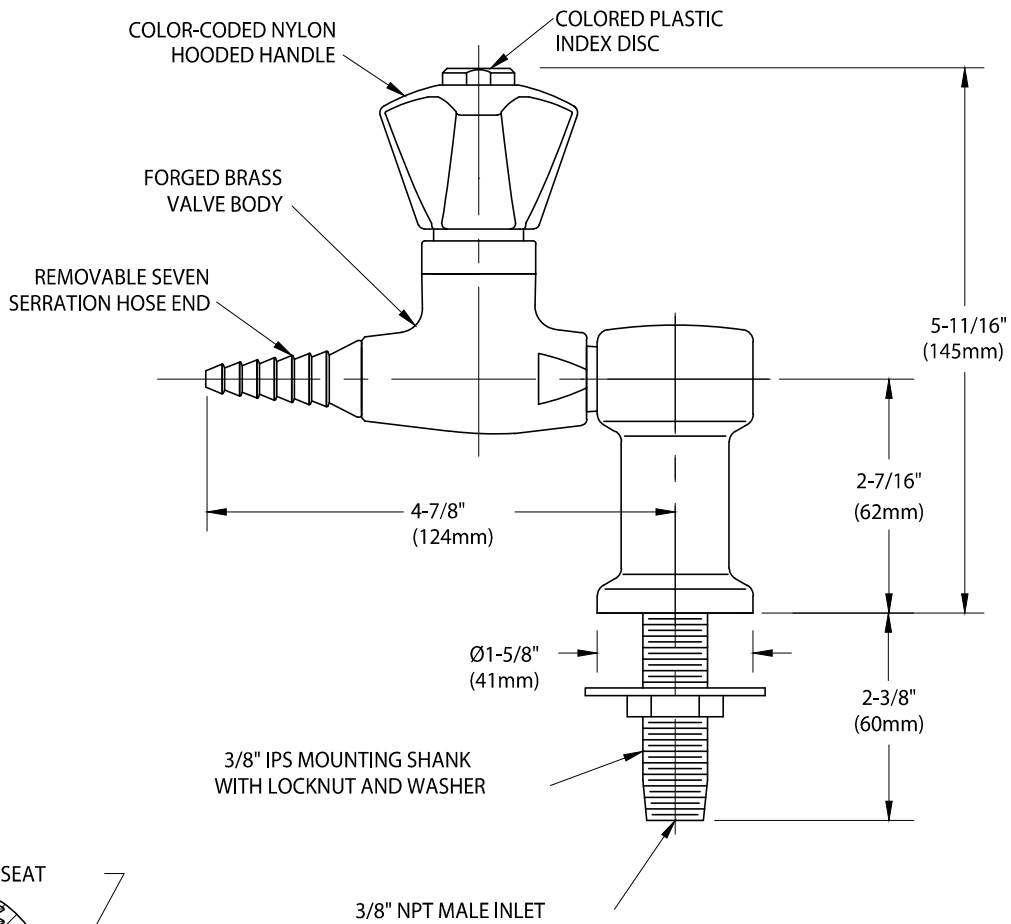


WaterSaver

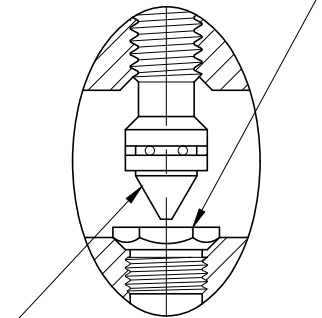
ColorTech

CT2880-231WSA

NEEDLE VALVE ASSEMBLY, DECK MOUNTED SINGLE



REPLACEABLE STAINLESS STEEL SEAT



MEASUREMENTS MAY VARY ±1/4" (6mm).

NOTES:



1. VALVE IS CERTIFIED BY CSA INTERNATIONAL TO COMPLY WITH ANSI Z21.15 AND CGA 9.1.
2. FIXTURE IS FULLY ASSEMBLED AND FACTORY TESTED AT 250 PSI NITROGEN PRESSURE. MAXIMUM WORKING PRESSURE IS 150 PSI.
3. SPECIFY IF CLEANING FOR OXYGEN AND HIGH PURITY GASES IS REQUIRED.
4. FIXTURE HAS COLORTech EPOXY POWDER COATED FINISH. SPECIFY COLOR (WHITE, GRAY OR TAN) WHEN ORDERING.