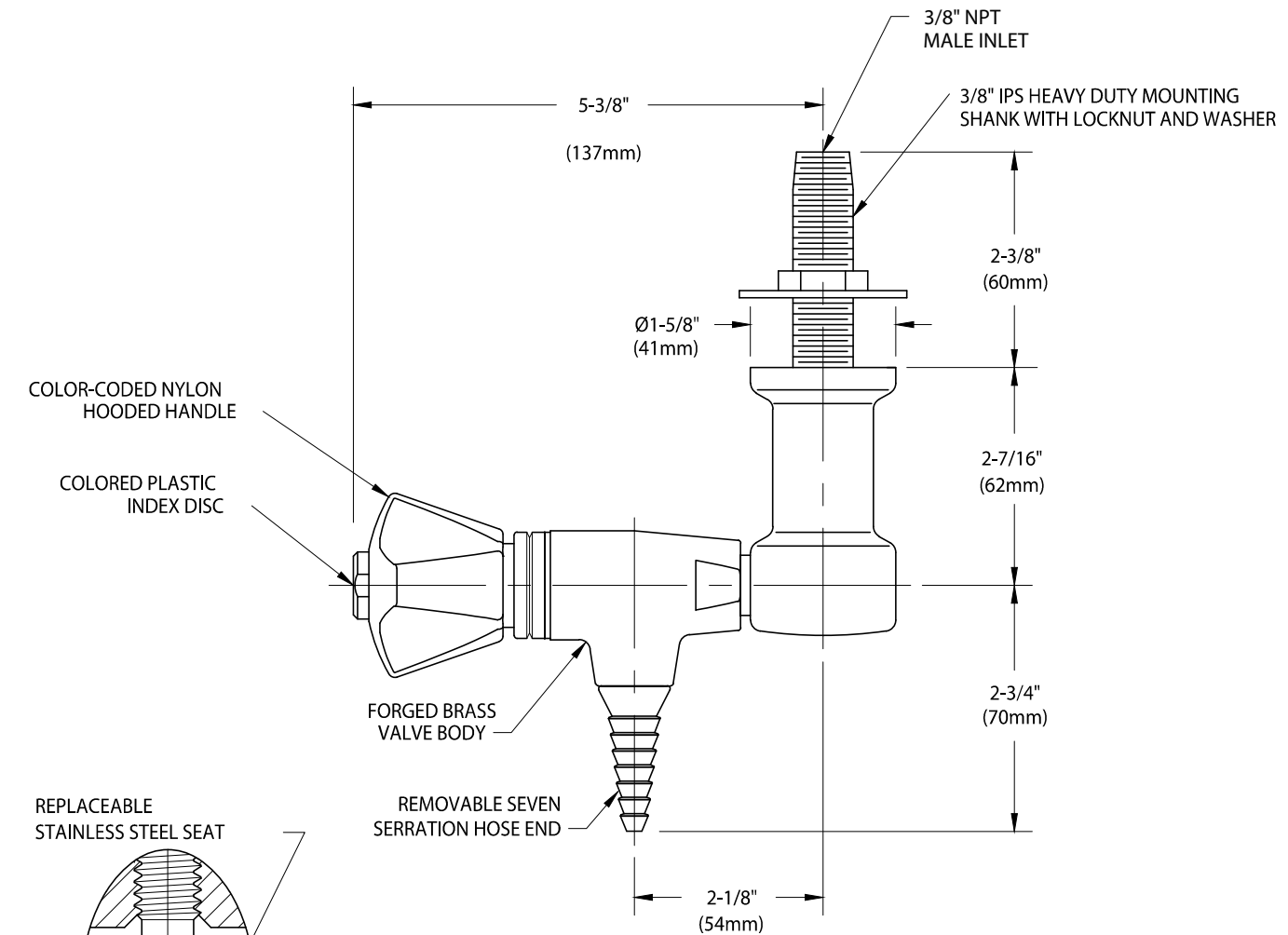
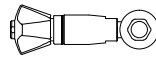


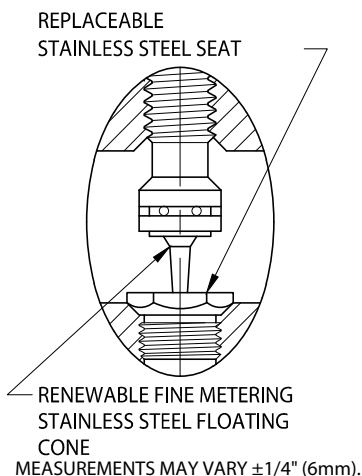
CT3170-231WSA

LABORATORY FINE CONTROL NEEDLE VALVE, ANGLE PATTERN, OVERHEAD MOUNTED SINGLE



NOTES:

1. FIXTURE IS CLEANED, DEGREASED AND PACKED FOR PURE GAS SERVICE.
2. VALVE IS FACTORY ASSEMBLED AND TESTED AT 375 PSI NITROGEN. MAXIMUM WORKING PRESSURE IS 250 PSI.
3. FIXTURE HAS COLORTECH EPOXY POWDER COATED FINISH. SPECIFY COLOR (WHITE, GRAY OR TAN) WHEN ORDERING.



MEASUREMENTS MAY VARY ±1/4" (6mm).