

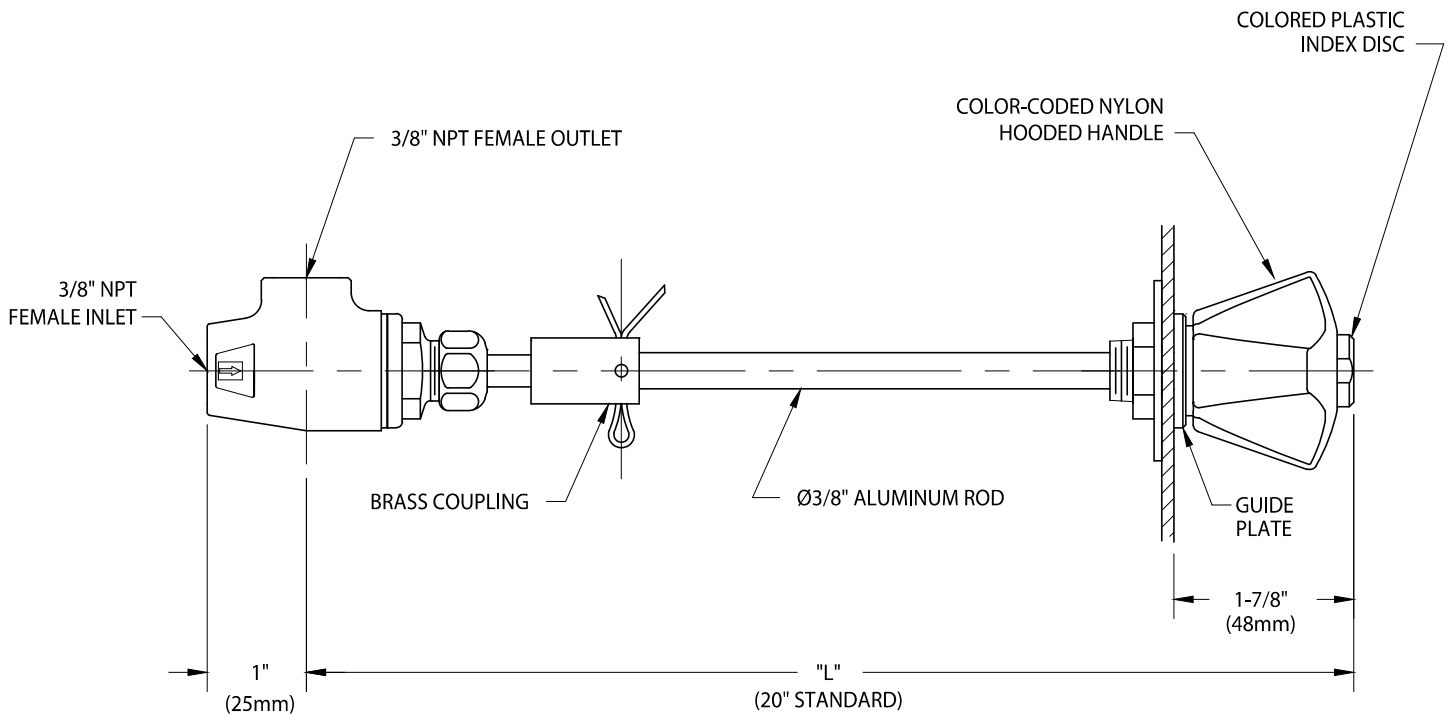


WaterSaver

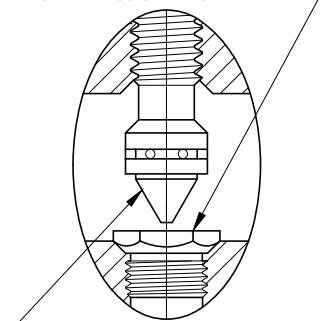
ColorTech

CT3185N

REMOTE CONTROL NEEDLE VALVE, ROD TYPE, ANGLE PATTERN



REPLACEABLE
STAINLESS STEEL SEAT



STAINLESS STEEL
RENEWABLE FLOATING CONE

MEASUREMENTS MAY VARY $\pm 1/4$ " (6mm).

NOTES:

1. VALVE IS FACTORY ASSEMBLED AND TESTED AT 250 PSI. MAXIMUM WORKING PRESSURE IS 150 PSI.
2. REMOTE CONTROL VALVE IS FURNISHED COMPLETE WITH GUIDE PLATE, ROD AND HANDLE. WHEN ORDERING, SPECIFY TYPE OF GUIDE PLATE DESIRED, "L" DIMENSION AND SERVICE.