

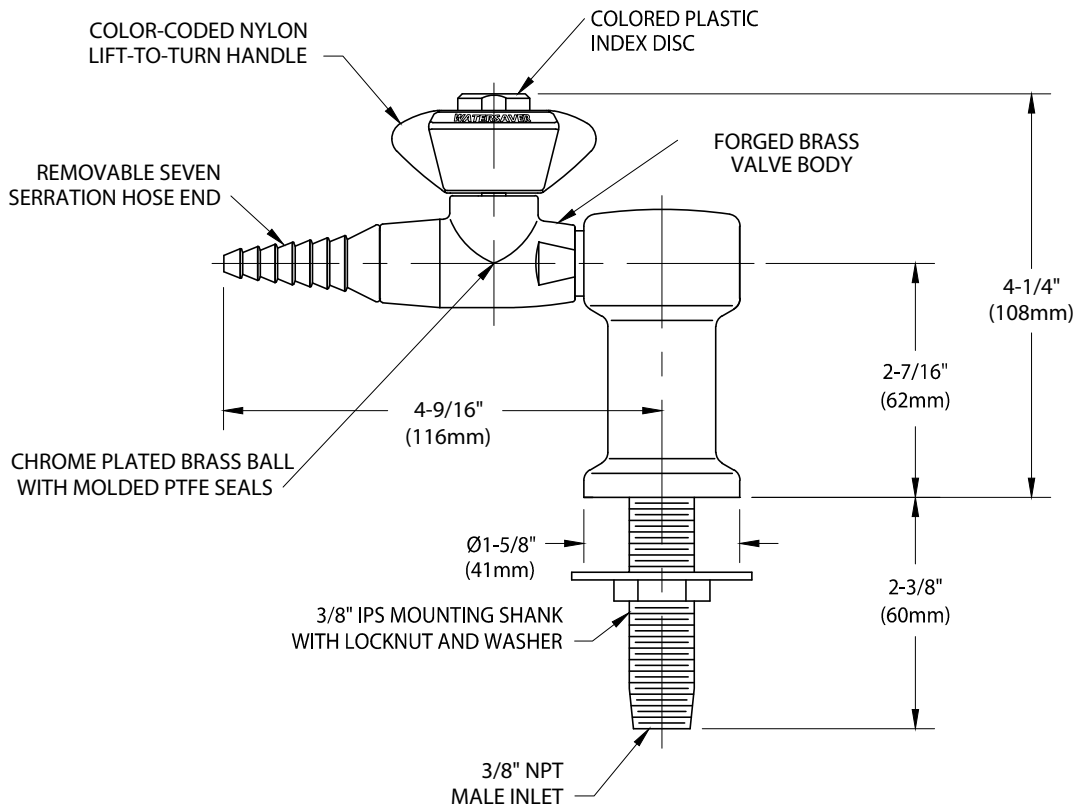


WaterSaver

ColorTech

CT4260-231WSA

LABORATORY BALL VALVE ASSEMBLY, DECK MOUNTED SINGLE, LIFT/TURN LEVER HANDLE



NOTES:



- LABORATORY BALL VALVE ASSEMBLY IS CERTIFIED BY CSA INTERNATIONAL TO COMPLY WITH ANSI Z21.15 AND CGA 9.1.
- HANDLE LOCKS IN CLOSED POSITION. LIFT HANDLE TO UNLOCK AND OPEN VALVE.
- FIXTURE IS FULLY ASSEMBLED AND FACTORY TESTED AT 125 PSI AIR PRESSURE. MAXIMUM WORKING PRESSURE IS 75 PSI.
- SPECIFY IF CLEANING FOR OXYGEN AND HIGH PURITY GASES IS REQUIRED
- FIXTURE HAS COLORTECH EPOXY POWDER COATED FINISH. SPECIFY COLOR (WHITE, GRAY OR TAN) WHEN ORDERING.

MEASUREMENTS MAY VARY ±1/4" (6mm).

WaterSaver Faucet Co. 312 666 5500 t
 701 West Erie Street 312 666 5501 f
 Chicago, IL 60654 wsflab.com

Drawing Number:

Revised: 121312-TEC