

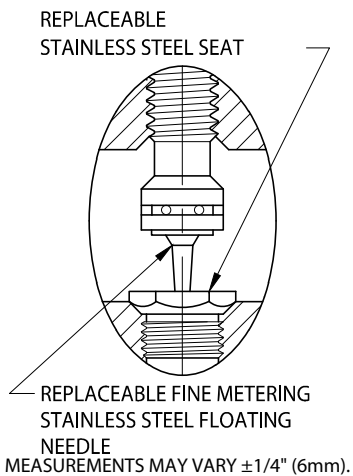
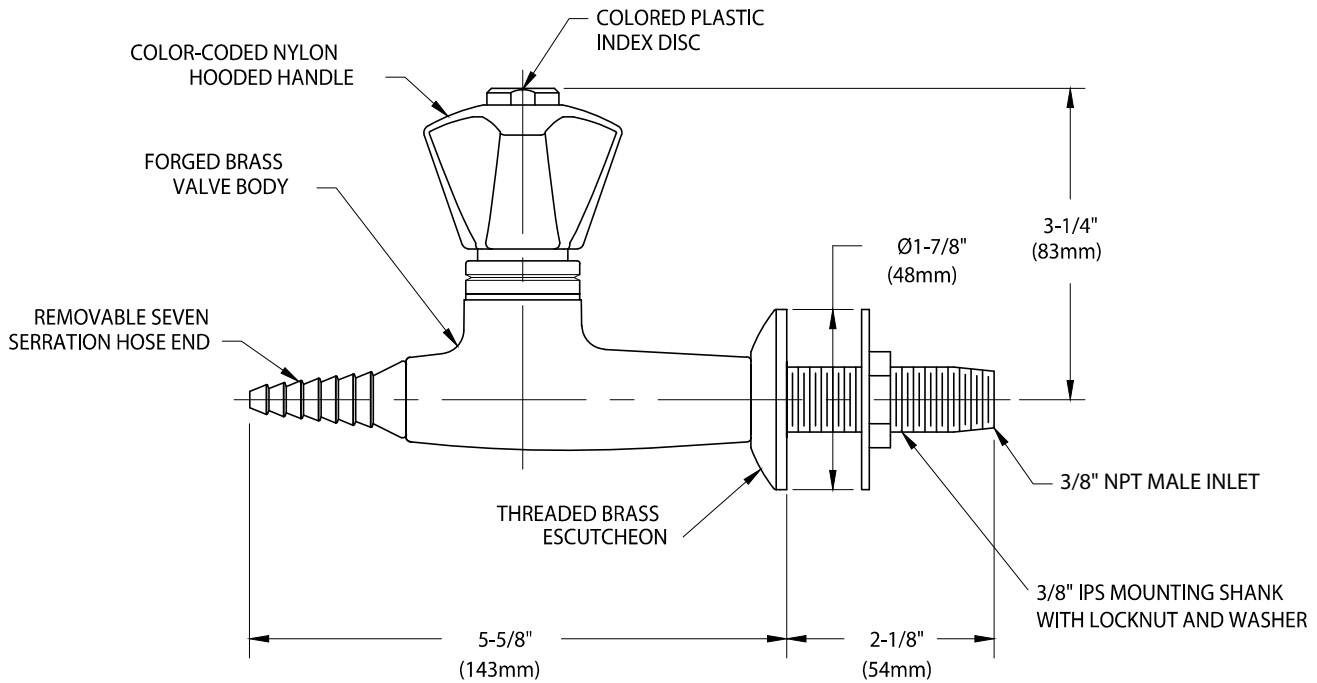


WaterSaver

ColorTech

CT4870F-225WSA

FINE CONTROL NEEDLE VALVE ASSEMBLY, PANEL MOUNTED



NOTES:

1. FURNISHED WITH THREADED ESCUTCHEON, MOUNTING SHANK, LOCKNUT AND WASHER FOR SECURING TO PANEL.
2. FIXTURE IS CLEANED, DEGREASED AND PACKED FOR PURE GAS SERVICE.
3. VALVE IS FULLY ASSEMBLED AND TESTED AT 375 PSI NITROGEN PRESSURE. MAXIMUM WORKING PRESSURE IS 250 PSI.
4. FIXTURE HAS COLORTECH EPOXY POWDER COATED FINISH. SPECIFY COLOR (WHITE, GRAY OR TAN) WHEN ORDERING.