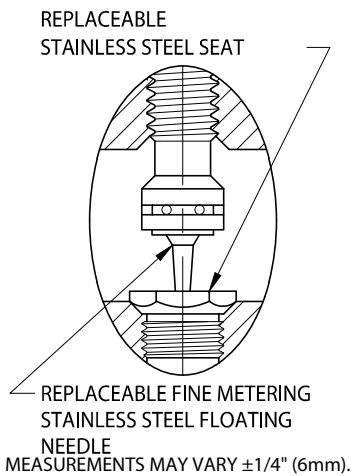
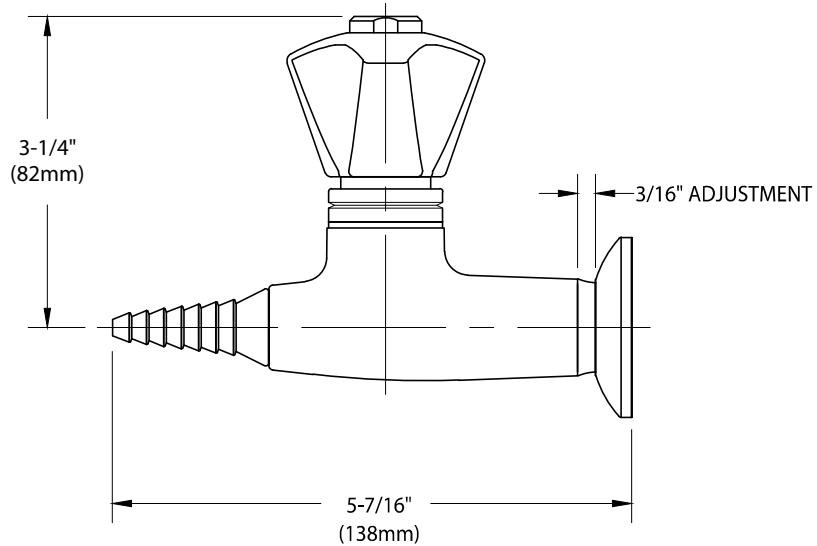
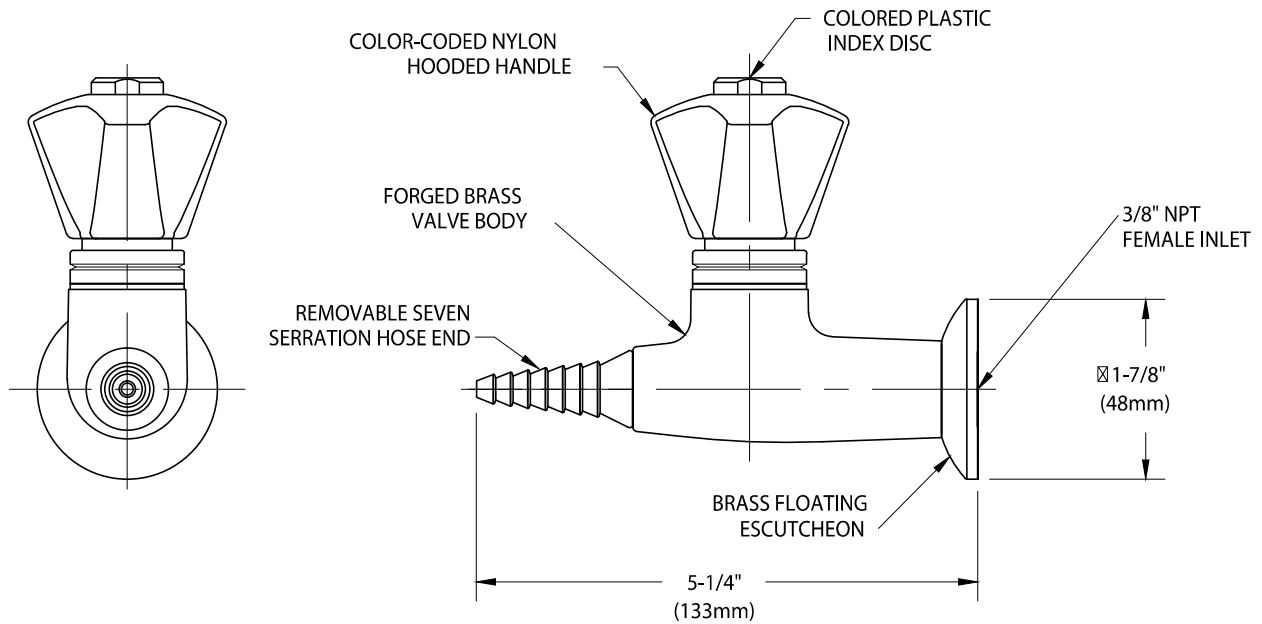


## CT4870FT-325

### LABORATORY FINE CONTROL NEEDLE VALVE ASSEMBLY, WALL MOUNTED, FLOATING ESCUTCHEON



#### NOTES:

1. FIXTURE HAS FEMALE INLET FOR CONNECTION TO SUPPLY. FLOATING ESCUTCHEON IS THREADED TO WALL TO CONCEAL ANY GAP BETWEEN VALVE AND WALL.
2. VALVE IS CLEANED, DEGREASED AND PACKED FOR HIGH PURITY GAS SERVICE.
3. VALVE IS FULLY ASSEMBLED AND TESTED AT 375 PSI NITROGEN PRESSURE. MAXIMUM WORKING PRESSURE IS 250 PSI.
4. FIXTURE HAS COLORTECH EPOXY POWDER COATED FINISH. SPECIFY COLOR (WHITE, GRAY OR TAN) WHEN ORDERING.