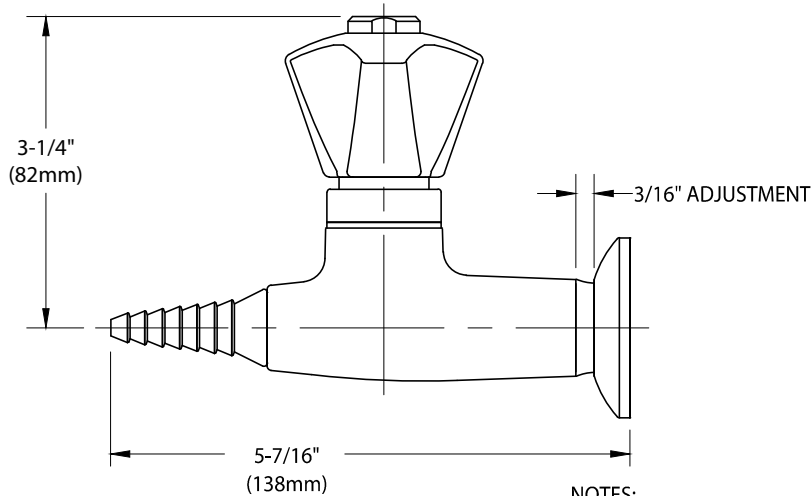
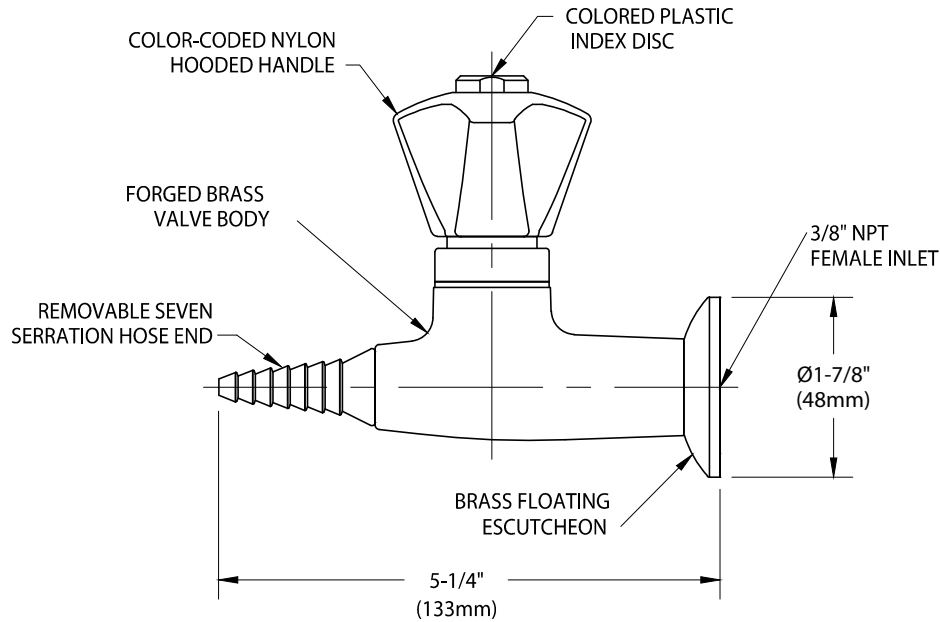


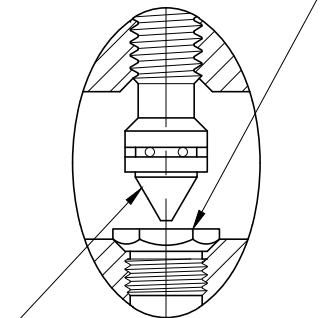


CT4880FT-325

LABORATORY NEEDLE VALVE ASSEMBLY, WALL MOUNTED, FLOATING ESCUTCHEON



REPLACEABLE STAINLESS STEEL SEAT



STAINLESS STEEL REPLACEABLE FLOATING NEEDLE

MEASUREMENTS MAY VARY ±1/4" (6mm).

NOTES:



1. SPECIFY IF CLEANING FOR OXYGEN OR OTHER PURE GAS SERVICE IS REQUIRED.
2. VALVE IS CERTIFIED BY CSA INTERNATIONAL TO COMPLY WITH ANSI 21.15 AND CGA 9.1.
3. FIXTURE IS FULLY ASSEMBLED AND FACTORY TESTED AT 250 PSI NITROGEN PRESSURE. MAXIMUM WORKING PRESSURE IS 150 PSI.
4. FIXTURE HAS A FEMALE INLET FOR CONNECTION TO SUPPLY. FLOATING ESCUTCHEON IS THREADED TO WALL TO CONCEAL ANY GAP BETWEEN VALVE AND WALL.
5. FIXTURE HAS COLORTECH EPOXY POWDER COATED FINISH. SPECIFY COLOR (WHITE, GRAY OR TAN) WHEN ORDERING.