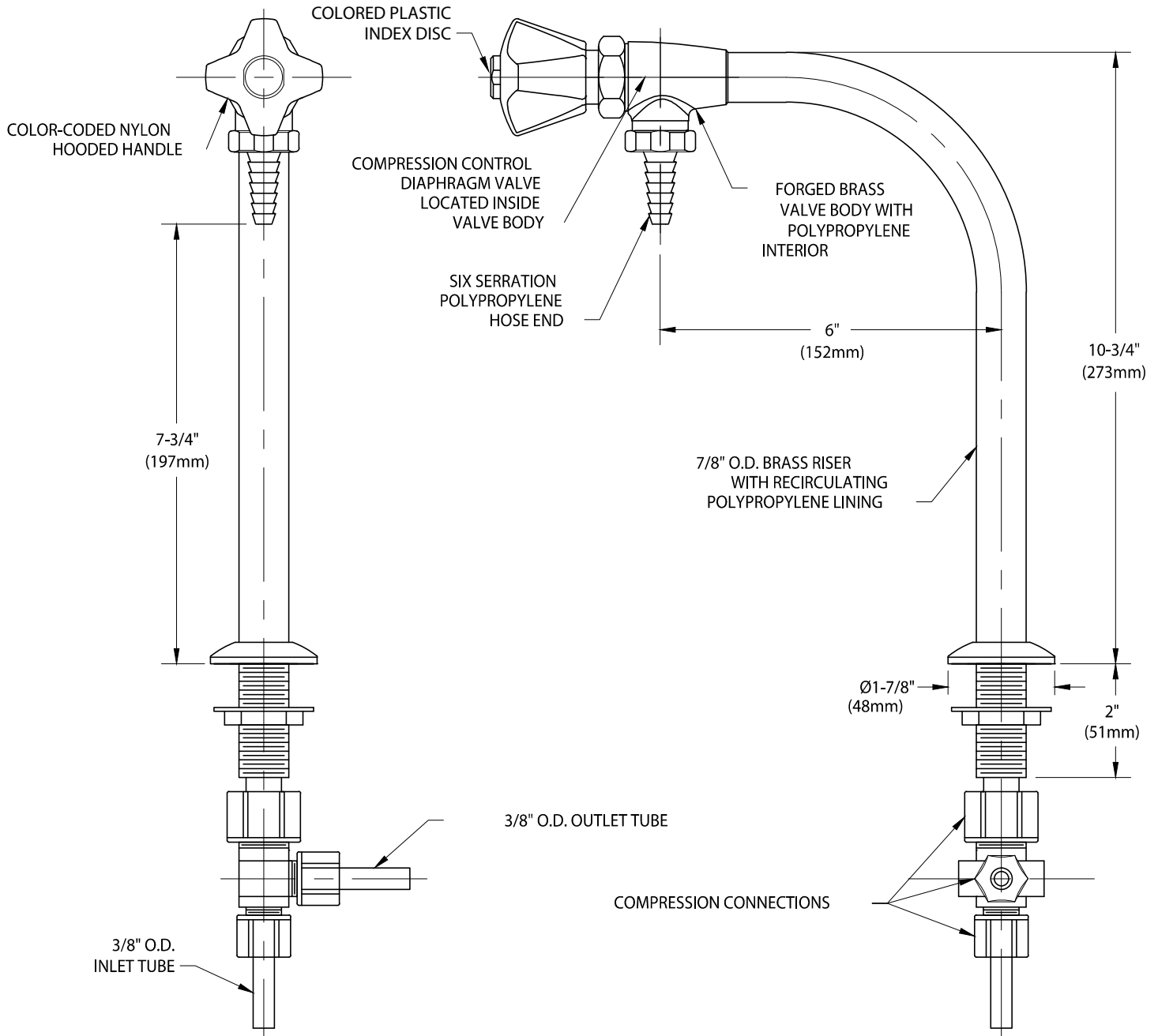




CT7837

RECIRCULATING PURE WATER FAUCET, POLYPROPYLENE-LINED, DECK MOUNTED, MANUAL CONTROL



NOTES:

1. FIXTURE HAS FULLY RECIRCULATING CONFIGURATION
2. MAXIMUM WORKING PRESSURE IS 75 PSI.
3. ALL COMPONENTS IN CONTACT WITH PURE WATER ARE POLYPROPYLENE.
4. MAXIMUM COUNTER THICKNESS IS 1-1/4".
5. FIXTURE HAS COLORTECH EPOXY POWDER COATED FINISH. SPECIFY COLOR (WHITE, GRAY OR TAN) WHEN ORDERING.

MEASUREMENTS MAY VARY ±1/4" (6mm).