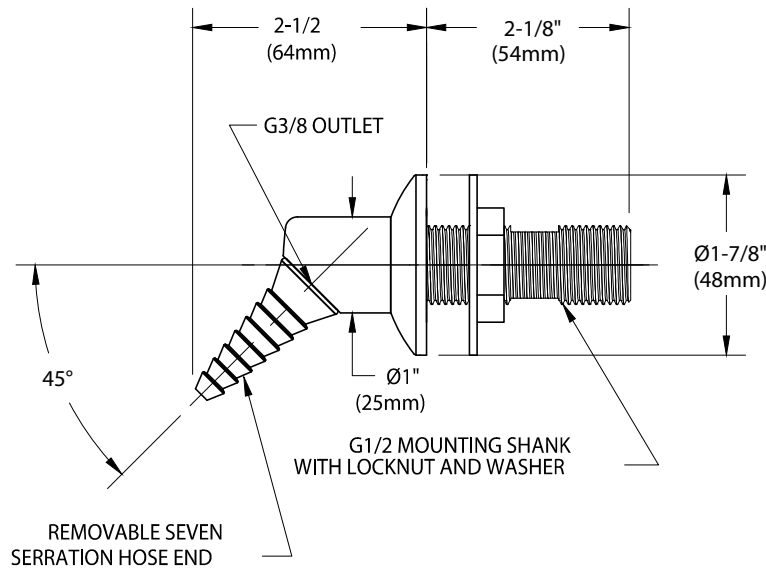




BT022WSA

45° ANGLE OUTLET FITTING, PANEL MOUNTED



MEASUREMENTS MAY VARY $\pm 1/4"$ (6mm).

WaterSaver Faucet Co. 312 666 5500 t
701 West Erie Street 312 666 5501 f
Chicago, IL 60654 wsflab.com

Drawing Number:

NOTE:
1. FITTING IS FURNISHED WITH A COLORTECH
POWDER-COATED FINISH COLOR-CODED PER
SERVICE INDEX COLOR AS STANDARD. OTHER
FINISHES ARE AVAILABLE UPON REQUEST.

Revised: 022213-TEC