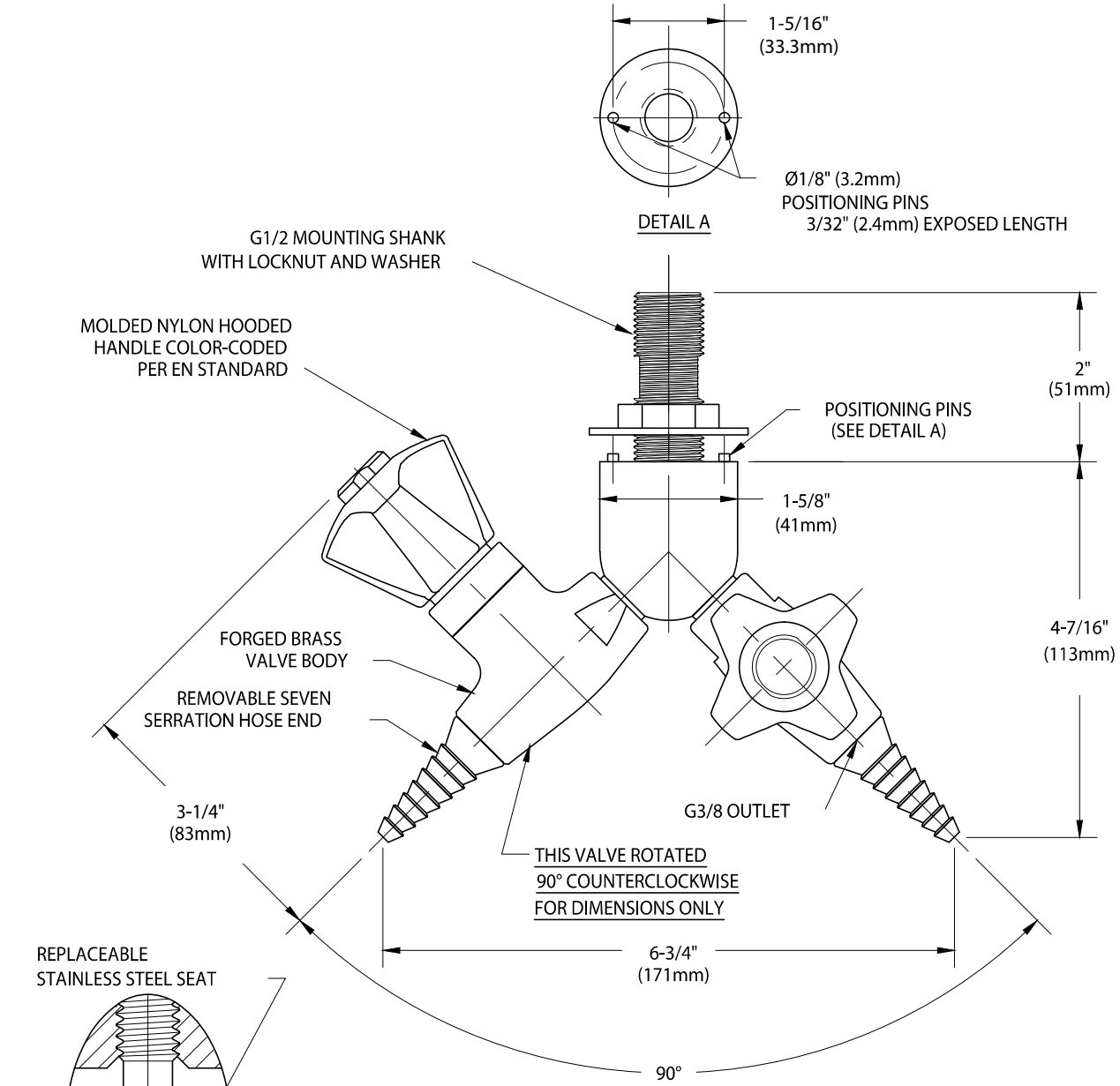




BT2880-141WSA

LABORATORY NEEDLE VALVE FITTING, PANEL MOUNTED DOUBLE



- NOTES:**
1. FITTING IS FACTORY ASSEMBLED AND TESTED AT 250 PSI (17 BAR). MAXIMUM WORKING PRESSURE IS 150 PSI (10 BAR).
 2. SPECIFY IF CLEANING FOR OXYGEN AND HIGH PURITY GASES IS REQUIRED.
 3. FITTING HAS COLORTECH EPOXY POWDER COATED FINISH. SPECIFY COLOR (WHITE, GRAY OR TAN) WHEN ORDERING.

MEASUREMENTS MAY VARY ±1/4" (6mm).