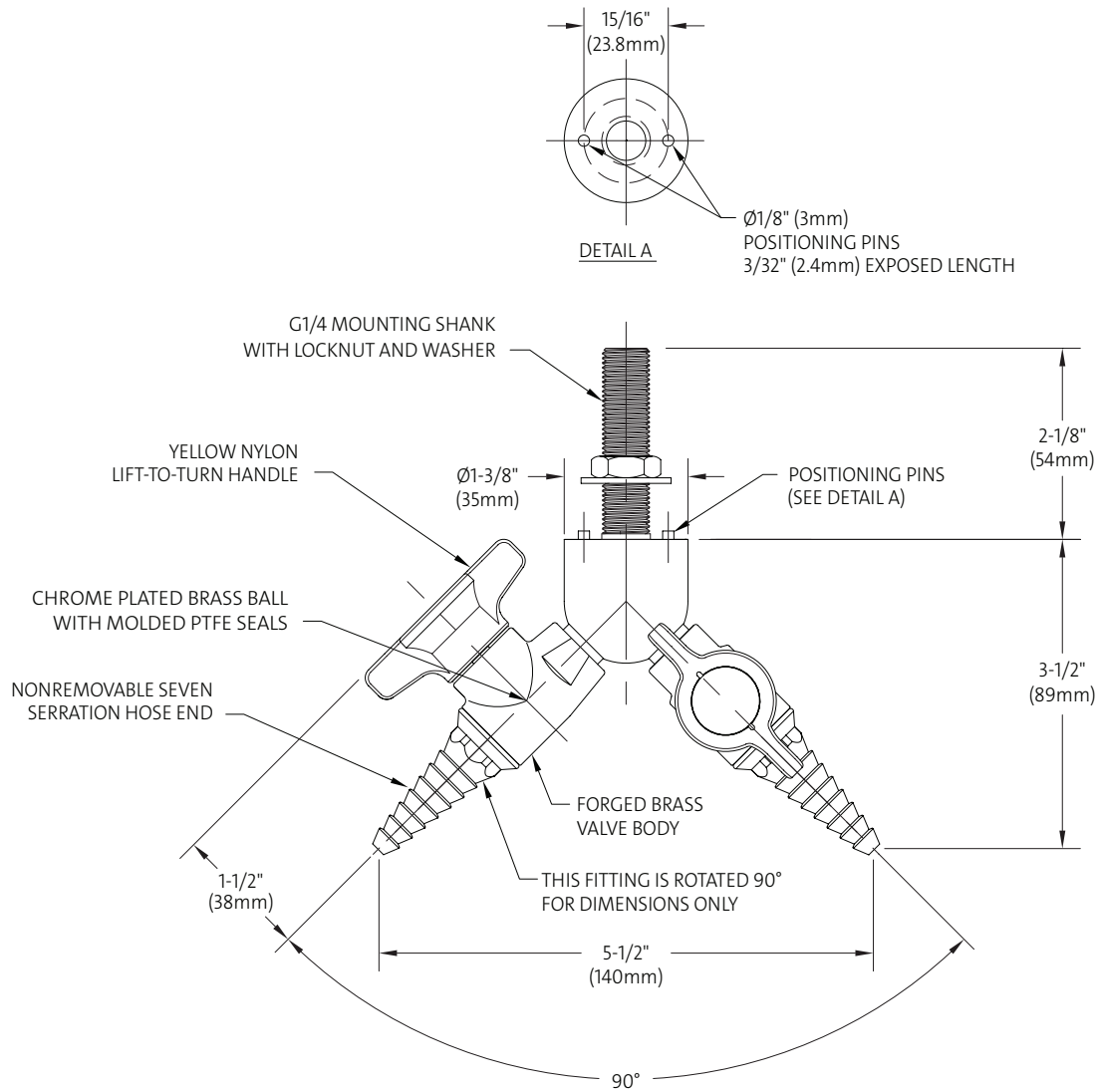




BT2920-2PM Laboratory Lift / Turn Gas Valve Fitting, Panel Mounted Double



NOTES:

1. HANDLE LOCKS IN CLOSED POSITION. LIFT HANDLE TO UNLOCK AND OPEN VALVE.
2. FITTING IS FACTORY ASSEMBLED AND TESTED AT 125 PSI (8 BAR). MAXIMUM WORKING PRESSURE IS 75 PSI (5 BAR).
3. SPECIFY IF CLEANING FOR OXYGEN AND HIGH PURITY GASES IS REQUIRED.
4. FITTING HAS COLORTECH EPOXY POWDER COATED FINISH. SPECIFY COLOR (WHITE, GRAY OR TAN) WHEN ORDERING.

THIS SPACE FOR ARCHITECT/ENGINEER APPROVAL

Due to continuing product improvement, the information contained in this document is subject to change without notice. All dimensions are $\pm 1/4"$ (6mm). Rev. 090821