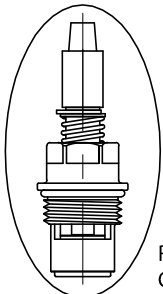
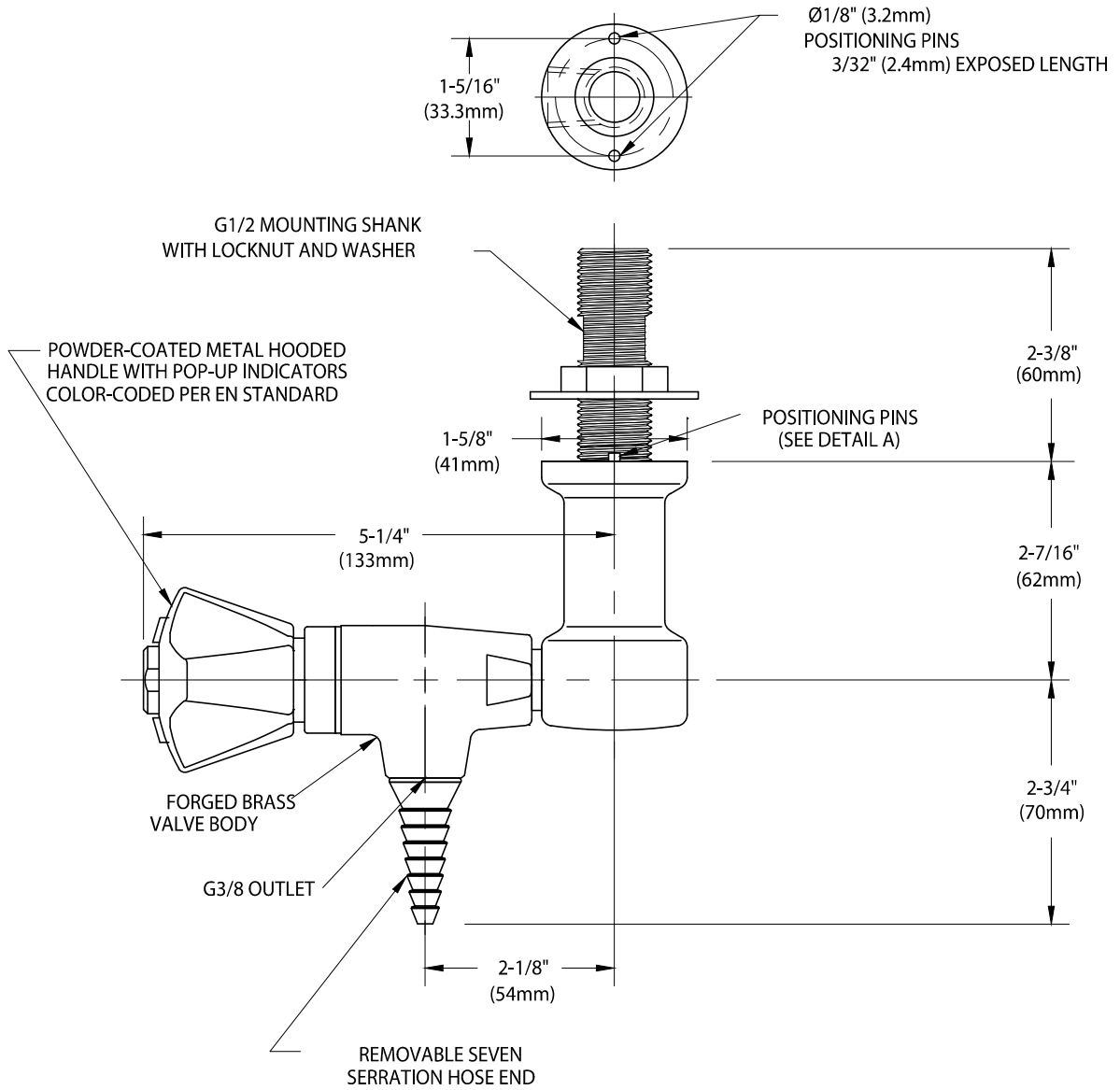




### BT3160I-231WSA

LABORATORY PUSH/TURN GAS VALVE FITTING, OVERHEAD MOUNTED SINGLE, POP-UP INDICATOR DISCS



REPLACEABLE PUSH/TURN CERAMIC DISC CARTRIDGE

MEASUREMENTS MAY VARY  $\pm 1/4"$  (6mm).

#### NOTES:

1. FITTING IS FACTORY ASSEMBLED AND TESTED AT 150 PSI (10 BAR). MAXIMUM
2. SPECIFY IF CLEANING FOR OXYGEN AND HIGH PURITY GASES IS REQUIRED.
3. FITTING HAS COLORTECH EPOXY POWDER COATED FINISH. SPECIFY COLOR (WHITE, GRAY OR TAN) WHEN ORDERING.