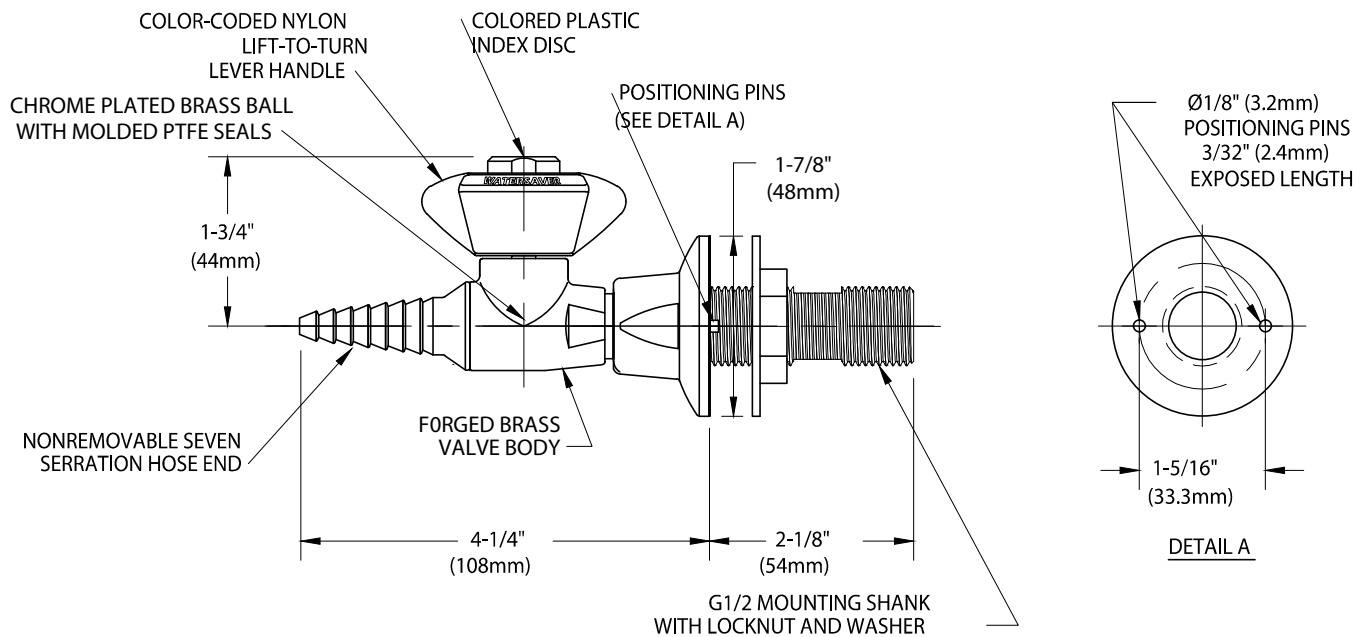




BT4160-158WSA

LABORATORY LIFT/TURN GAS VALVE FITTING, PANEL OR OVERHEAD MOUNTED SINGLE



NOTES:

1. HANDLE LOCKS IN CLOSED POSITION. LIFT HANDLE TO UNLOCK AND OPEN VALVE.
2. FITTING IS FACTORY ASSEMBLED AND TESTED AT 125 PSI (8 BAR). MAXIMUM WORKING PRESSURE IS 75 PSI (5 BAR).
3. SPECIFY IF CLEANING FOR OXYGEN AND HIGH PURITY GASES IS REQUIRED
4. FITTING HAS COLORTECH EPOXY POWDER COATED FINISH. SPECIFY COLOR (WHITE, GRAY OR TAN) WHEN ORDERING.

MEASUREMENTS MAY VARY $\pm 1/4$ " (6mm).

WaterSaver Faucet Co. 312 666 5500 t
 701 West Erie Street 312 666 5501 f
 Chicago, IL 60654 wsflab.com

Drawing Number:

Revised: 022013-TEC