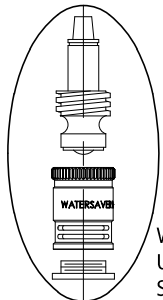
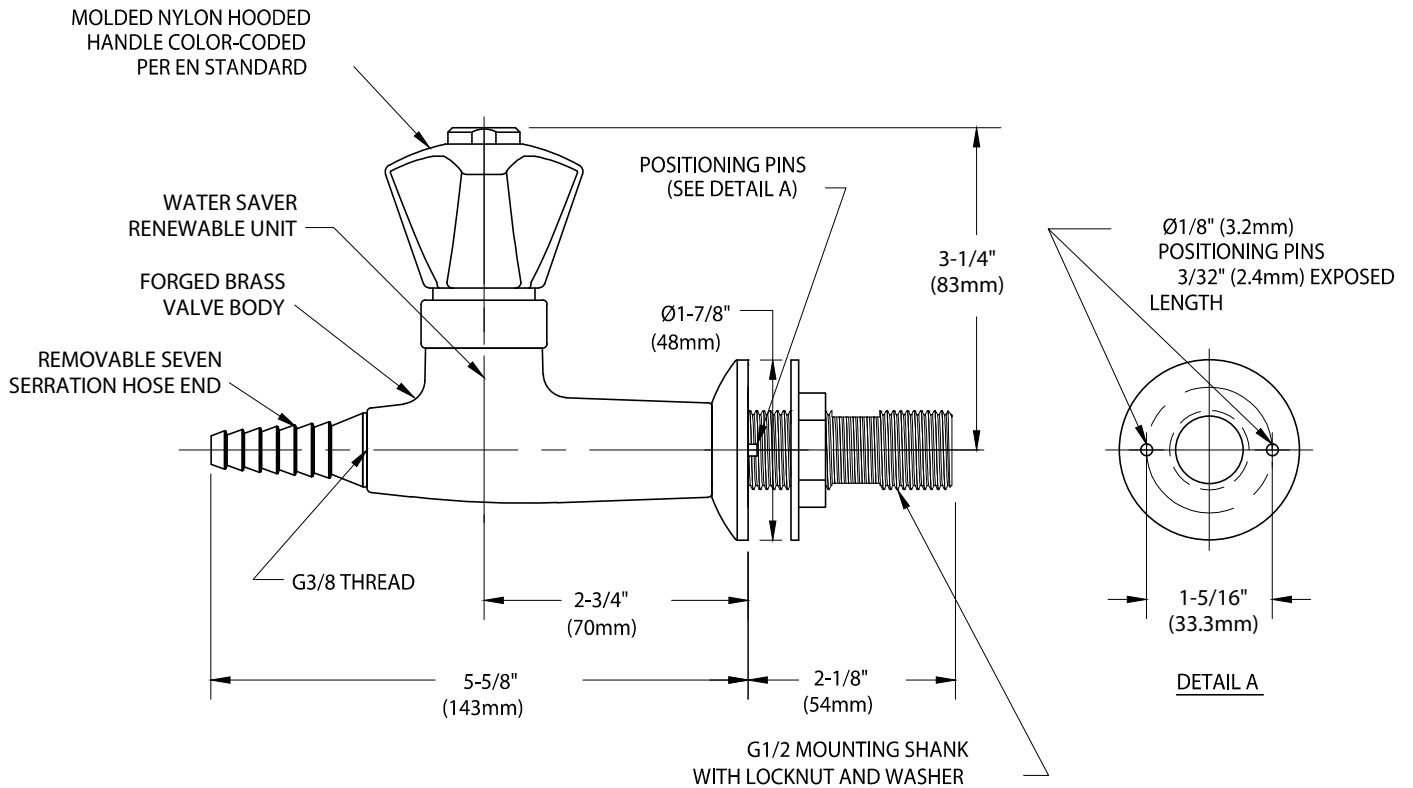




### BT4800F-226WSA

LABORATORY WATER VALVE FITTING, STRAIGHT PATTERN, PANEL MOUNTED



WATER SAVER RENEWABLE UNIT WITH REPLACEABLE STAINLESS STEEL SEAT

MEASUREMENTS MAY VARY ±1/4" (6mm).

#### NOTES:

1. FURNISHED WITH THREADED ESCUTCHEON, MOUNTING SHANK, LOCKNUT AND WASHER FOR SECURING TO PANEL.
2. FITTING IS FULLY ASSEMBLED AND FACTORY TESTED PRIOR TO SHIPMENT.
3. IF CERAMIC DISC UNIT IS DESIRED, ORDER BTC4800F-226WSA.
4. FITTING HAS COLORTECH EPOXY POWDER COATED FINISH. SPECIFY COLOR (WHITE, GRAY OR TAN) WHEN ORDERING.