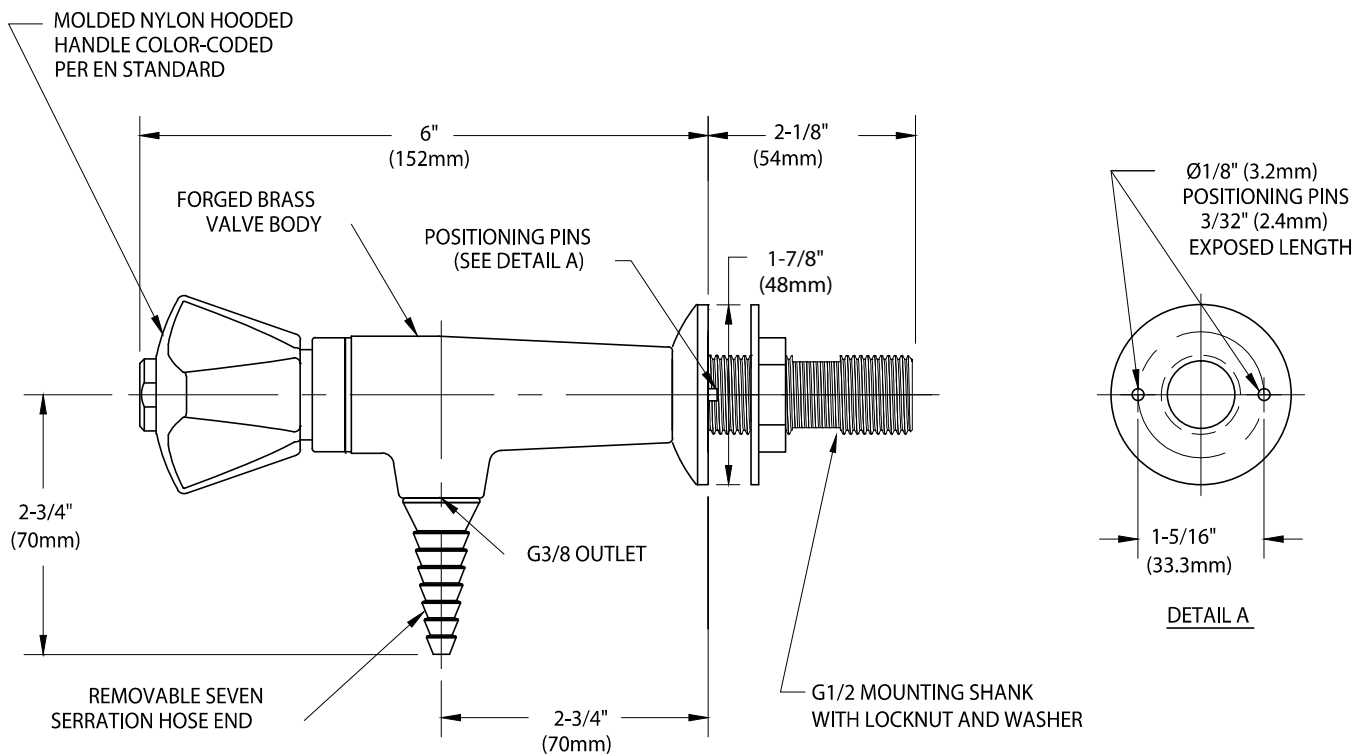


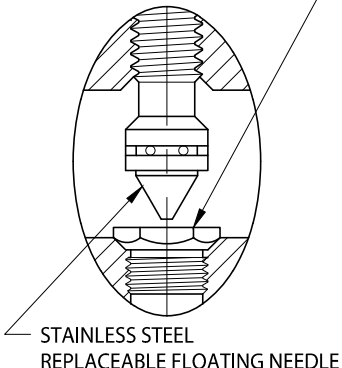


BT5180F-226WSA

LABORATORY NEEDLE VALVE, ANGLE PATTERN, PANEL MOUNTED



REPLACEABLE STAINLESS STEEL SEAT



STAINLESS STEEL REPLACEABLE FLOATING NEEDLE

MEASUREMENTS MAY VARY $\pm 1/4"$ (6mm).

NOTES:

1. FURNISHED WITH THREADED ESCUTCHEON, MOUNTING SHANK, LOCKNUT AND WASHER FOR SECURING TO PANEL.
2. FITTING IS FACTORY ASSEMBLED AND TESTED AT 250 PSI (17 BAR). MAXIMUM WORKING PRESSURE IS 150 PSI (10 BAR).
3. SPECIFY IF CLEANING FOR OXYGEN AND HIGH PURITY GASES IS REQUIRED.
4. FITTING HAS COLORTECH EPOXY POWDER COATED FINISH. SPECIFY COLOR (WHITE, GRAY OR TAN) WHEN ORDERING.