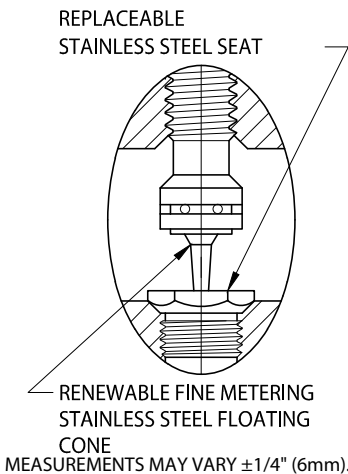
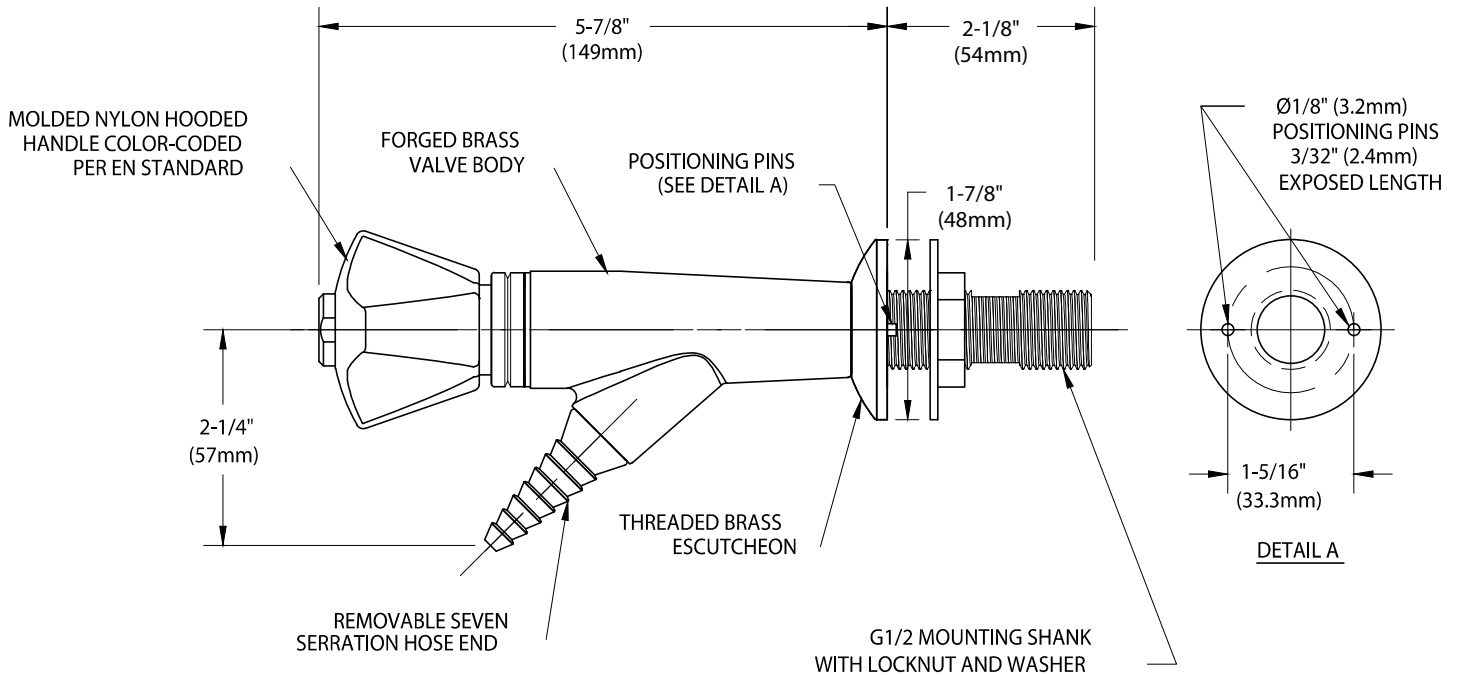




BT5270F-226WSA

LABORATORY FINE CONTROL NEEDLE VALVE, PANEL MOUNTED, 45° ANGLE PATTERN



NOTES:

1. FURNISHED WITH THREADED ESCUTCHEON, MOUNTING SHANK, LOCKNUT AND WASHER FOR SECURING TO PANEL.
2. FITTING IS CLEANED, DEGREASED AND PACKED FOR HIGH PURITY GAS SERVICE.
3. FITTING IS FACTORY ASSEMBLED AND TESTED AT 375 PSI (26 BAR). MAXIMUM WORKING PRESSURE IS 250 PSI (17 BAR).
4. FITTING HAS COLORTECH EPOXY POWDER COATED FINISH. SPECIFY COLOR (WHITE, GRAY OR TAN) WHEN ORDERING.