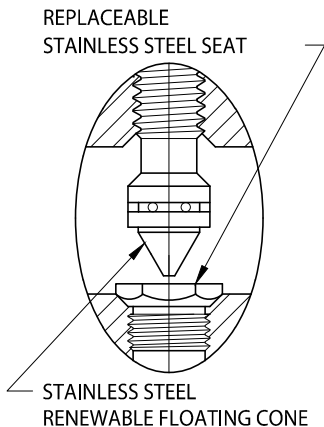
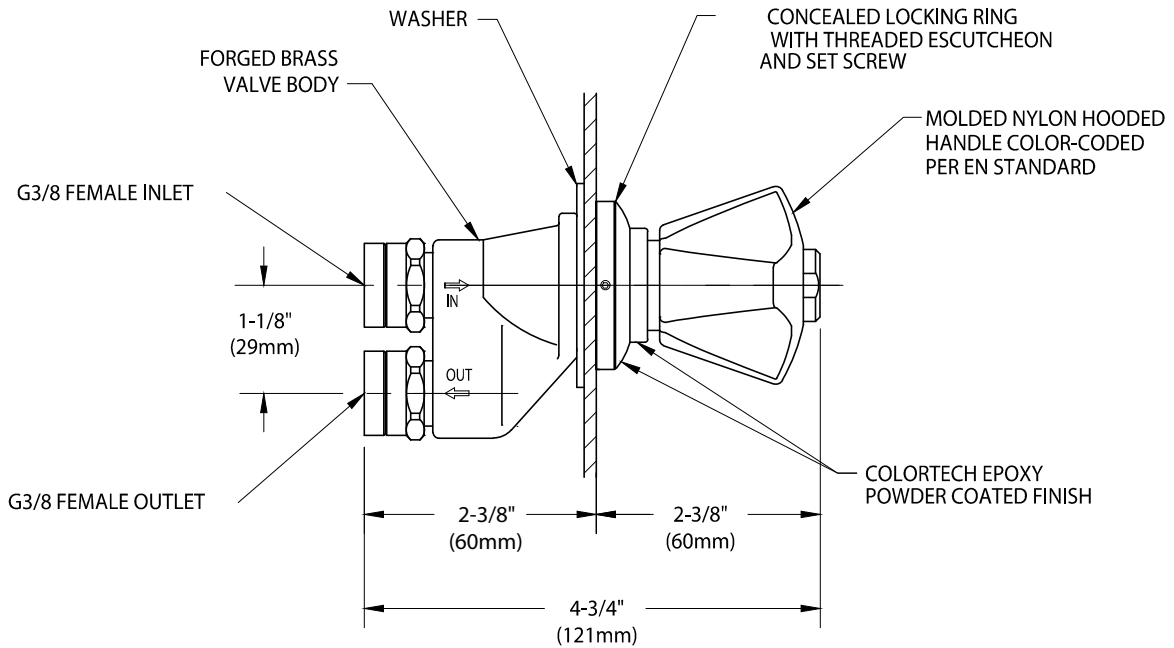




### BT740N

REMOTE CONTROL NEEDLE VALVE, PANEL MOUNTED, G3/8 INLET/OUTLET



MEASUREMENTS MAY VARY  $\pm 1/4$ " (6mm).

#### NOTES:

1. VALVE IS FACTORY ASSEMBLED AND TESTED AT 250 PSI (17 BAR). MAXIMUM WORKING PRESSURE IS 150 PSI (10 BAR).
2. PROVIDE  $\varnothing 1-1/4$ " MOUNTING HOLE FOR VALVE. MAXIMUM PANEL THICKNESS IS 1/8".