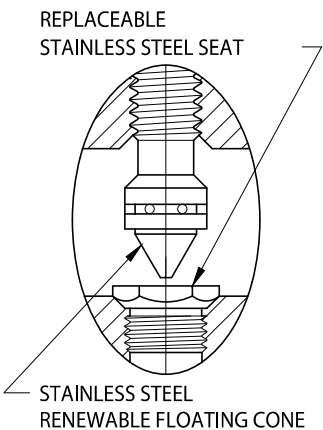
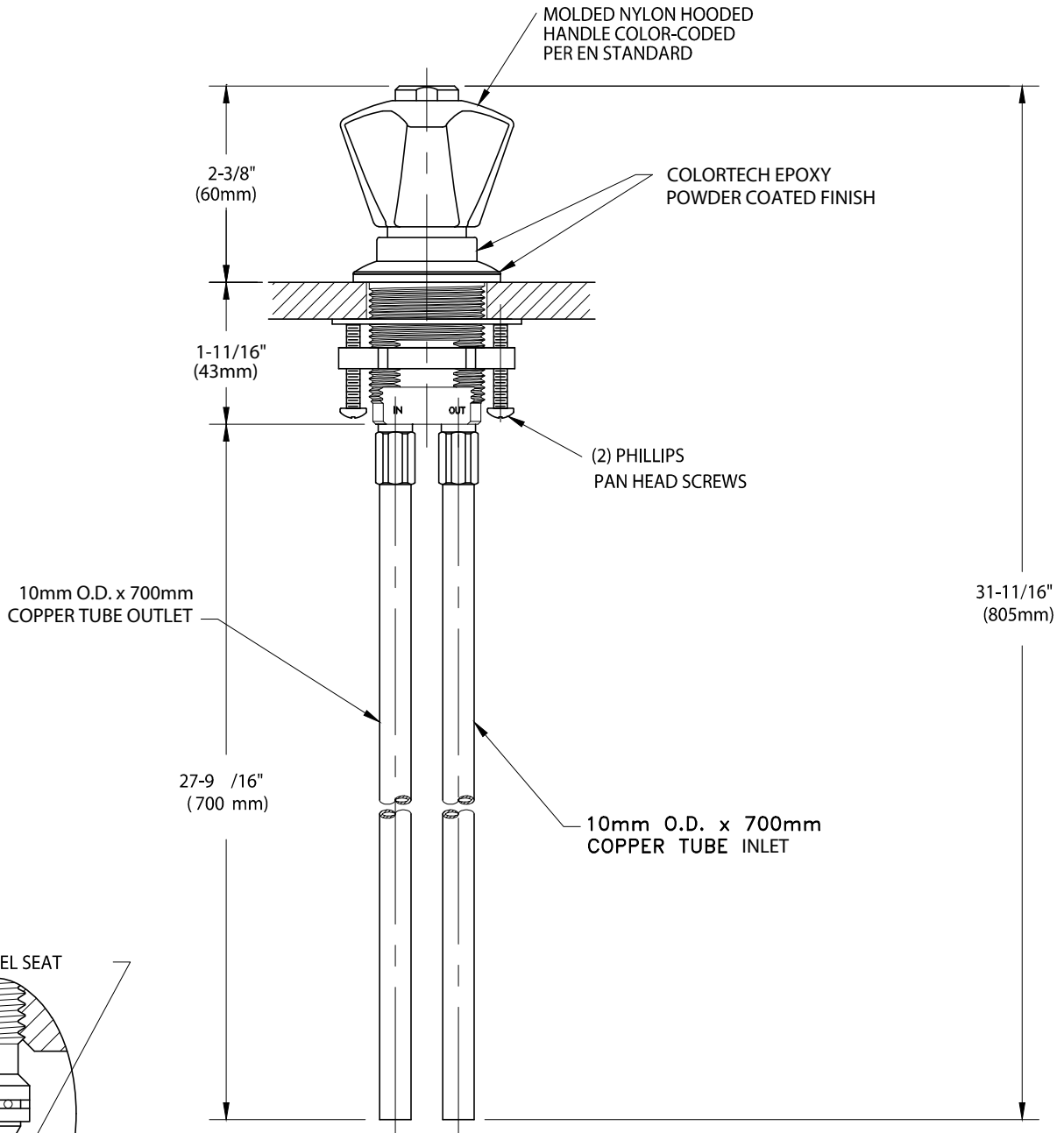




### BT750N

REMOTE CONTROL NEEDLE VALVE, PANEL MOUNTED, STRAIGHT FRONT FUME HOOD, 10mm INLET/OUTLET TUBES



MEASUREMENTS MAY VARY ±1/4" (6mm).

- NOTES:**
1. VALVE IS FACTORY ASSEMBLED AND TESTED AT 250 PSI (17 BAR). MAXIMUM WORKING PRESSURE IS 150 PSI (10 BAR).
  2. PROVIDE Ø1-7/16" MOUNTING HOLE FOR VALVE.