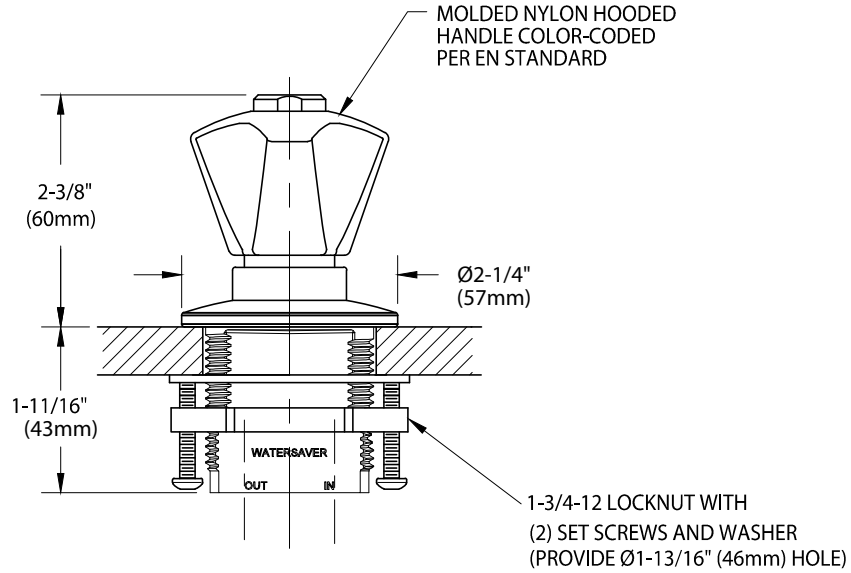




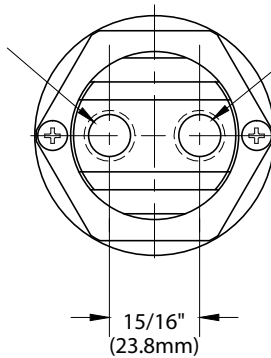
### BT751N

REMOTE CONTROL NEEDLE VALVE, PANEL MOUNTED, G1/4 FEMALE INLET/OUTLET



G1/4 FEMALE OUTLET

G1/4 FEMALE INLET



REPLACEABLE  
STAINLESS STEEL SEAT

STAINLESS STEEL  
RENEWABLE FLOATING CONE

MEASUREMENTS MAY VARY ±1/4" (6mm).

#### NOTES:

1. VALVE HAS COLORTECH EPOXY POWDER COATED FINISH. SPECIFY COLOR (WHITE, GRAY OR TAN) WHEN ORDERING.
2. VALVE IS FACTORY ASSEMBLED AND TESTED AT 250 PSI (17 BAR). MAXIMUM WORKING PRESSURE IS 150 PSI (10 BAR).