

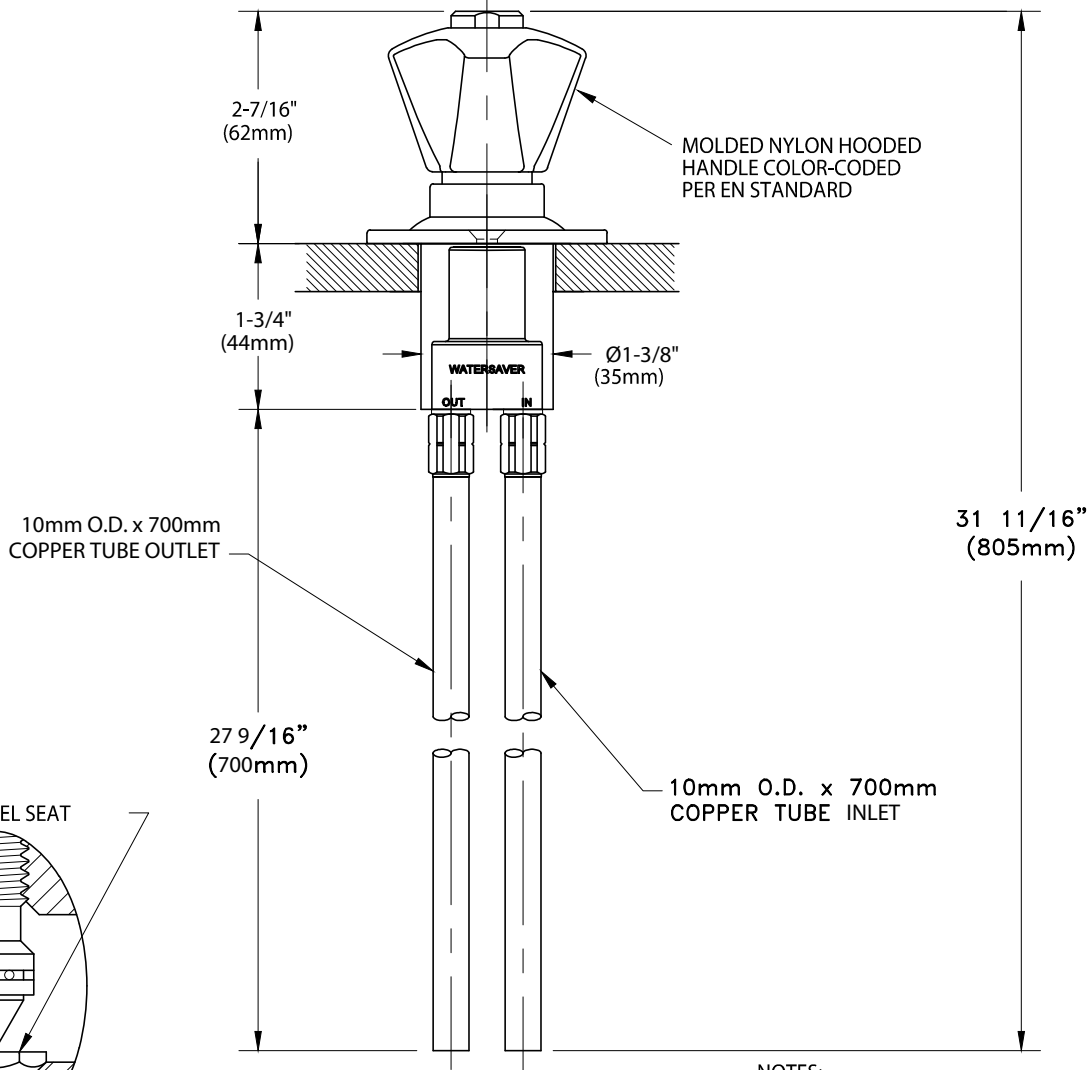
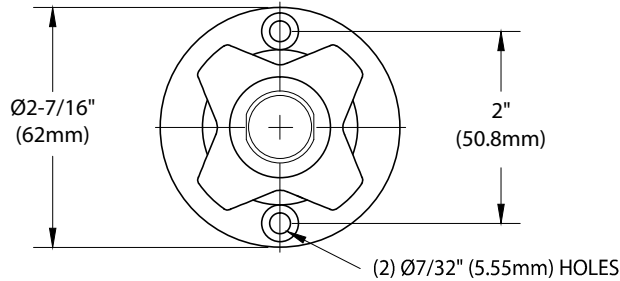


WaterSaver

ColorTech BT

BT753N

REMOTE CONTROL NEEDLE VALVE, PANEL MOUNTED, 62mm O.D. FLANGE, 10mm INLET/OUTLET TUBES



REPLACEABLE
STAINLESS STEEL SEAT

STAINLESS STEEL
RENEWABLE FLOATING CONE

NOTES:

1. VALVE HAS COLORTECH EPOXY POWDER COATED FINISH. SPECIFY COLOR (WHITE, GRAY OR TAN) WHEN ORDERING.
2. VALVE IS FACTORY ASSEMBLED AND TESTED AT 250 PSI (17 BAR). MAXIMUM WORKING PRESSURE IS 150 PSI (10 BAR).

MEASUREMENTS MAY VARY $\pm 1/4''$ (6mm).

WaterSaver Faucet Co. 312 666 5500 t
 701 West Erie Street 312 666 5501 f
 Chicago, IL 60654 wsflab.com

Drawing Number:

Revised: 022513-TEC