

AP280-232 Electric Alarm Unit for Recessed Laboratory Units, with Silencing Switch

Application: Alarm units serve two important functions when installed in conjunction with emergency eyewash and shower equipment. First, alarms serve to alert facility personnel that an accident has occurred and that assistance to the user may be required. Second, alarms deter unintended or malicious operation of the emergency equipment. For this reason, they are advisable in schools and other areas where the possibility of vandalism is present. Alarms are activated by a flow switch that senses the movement of water in the supply line when the safety unit is activated. Once activated, the bright light flashes and the horn sounds loudly.

Silencing Switch: Ideal for weekly ANSI testing. Turn key to silence alarm horn during unit activation. Key cannot be removed until switch is returned to normal (audible) position. One key included per unit.

Installation: Unit is designed for use with recessed laboratory units. Combination light, alarm horn, and key switch is mounted on a stainless steel cabinet designed to recess into wall. Flow switch and electrical wiring are located behind wall. 120 volt, 0.11 amp electrical supply required.

Visual Signal: Amber strobe light with shatter-resistant lens.

Audible Signal: Horn delivers distinctive, urgent signal at 90 db.

Flow Switch: 1" IPS single pole, double throw waterproof flow switch for installation in water supply line to emergency unit. Switch senses flow of water when either the eyewash or shower is activated. Flow switch must be installed with tee fitting in horizontal position, flow switch body in vertical position and at least 6" from closest fitting. Direction of flow is marked on switch body.

Mounting: 16 gauge stainless steel cabinet with flanged rim for recessed mounting in wall. Cabinet includes 1/2" top and bottom conduit knockouts for electrical connection. Unit fits in standard 3 5/8" deep wall. Electrical connections by others.

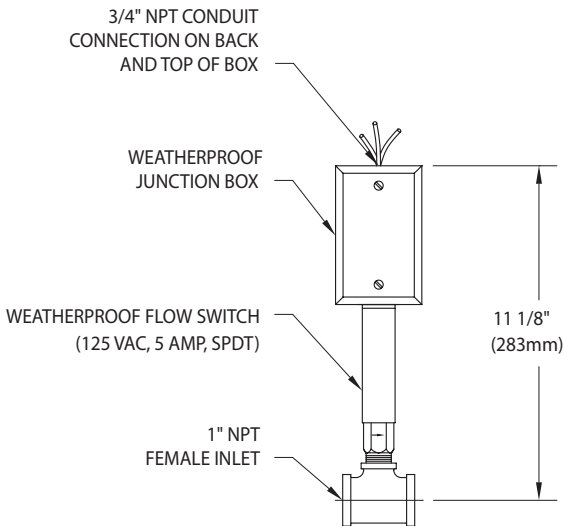
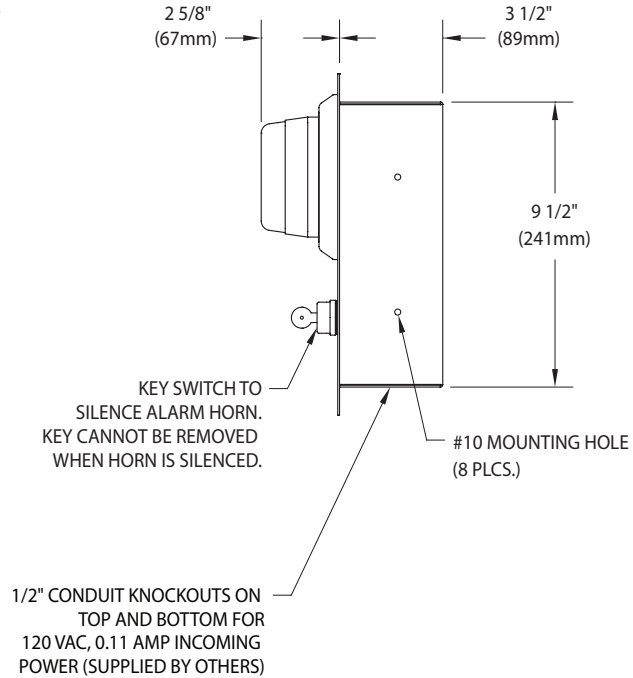
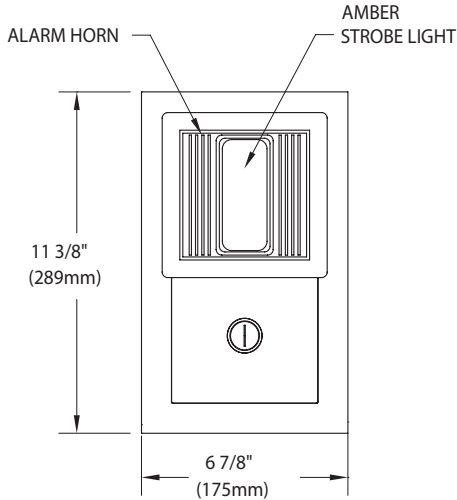
Quality Assurance: All components are factory tested prior to shipment.

Additional Model

AP280-237 Same as above except with double pole, double throw flow switch for connection to monitoring system. When emergency unit is actuated, light and horn activate and electrical signal is sent to remote monitoring location.



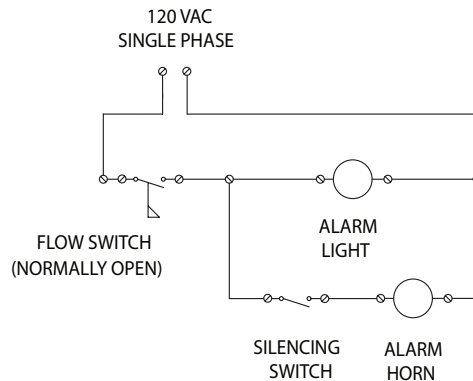
AP280-232 Electric Alarm Unit for Recessed Laboratory Units, with Silencing Switch



NOTES:

1. FLOW SWITCH IS DESIGNED TO ACTIVATE AT 3.0 GPM AND DEACTIVATE AT 1.75 GPM.
2. FLOW SWITCH MUST BE INSTALLED VERTICALLY IN A HORIZONTAL PIPE RUN, UPSTREAM OF UNIT AND AT LEAST 6" FROM FITTING.
3. SOUND OUTPUT ON HORN IS 90 dB AT 10 FEET.

WIRING SCHEMATIC



THIS SPACE FOR ARCHITECT/ENGINEER APPROVAL

Sign Included

Due to continuing product improvement, the information contained in this document is subject to change without notice. All dimensions are $\pm 1/4"$ (6mm). rev. o816