

- ES658** Emergency Shower, Semi-Concealed, Stainless Steel Shower Head and Pipe
- ES658PCC** Emergency Shower, Semi-Concealed, Stainless Steel Shower Head, Polished Chrome Plated Pipe



Application: Emergency shower for semi-concealed mounting in a finished ceiling. Unit is designed for installation in ceilings 8-10 feet above finished floor.

Shower Head: Shower head is 10" diameter stainless steel with 20 GPM flow control. Furnished with vertical supply pipe and ceiling escutcheon for mounting shower head at desired height above finished floor.

Valve: 1" IPS brass stay-open ball valve. Valve is US-made with chrome plated brass ball and PTFE seals. Furnished with stainless steel actuating arm, 63-1/2" stainless steel pull rod and stainless steel ceiling guide plate.

Pipe and Fittings: Exposed pipe is brushed stainless steel (ES658) or polished chrome plated brass (ES658PCC).

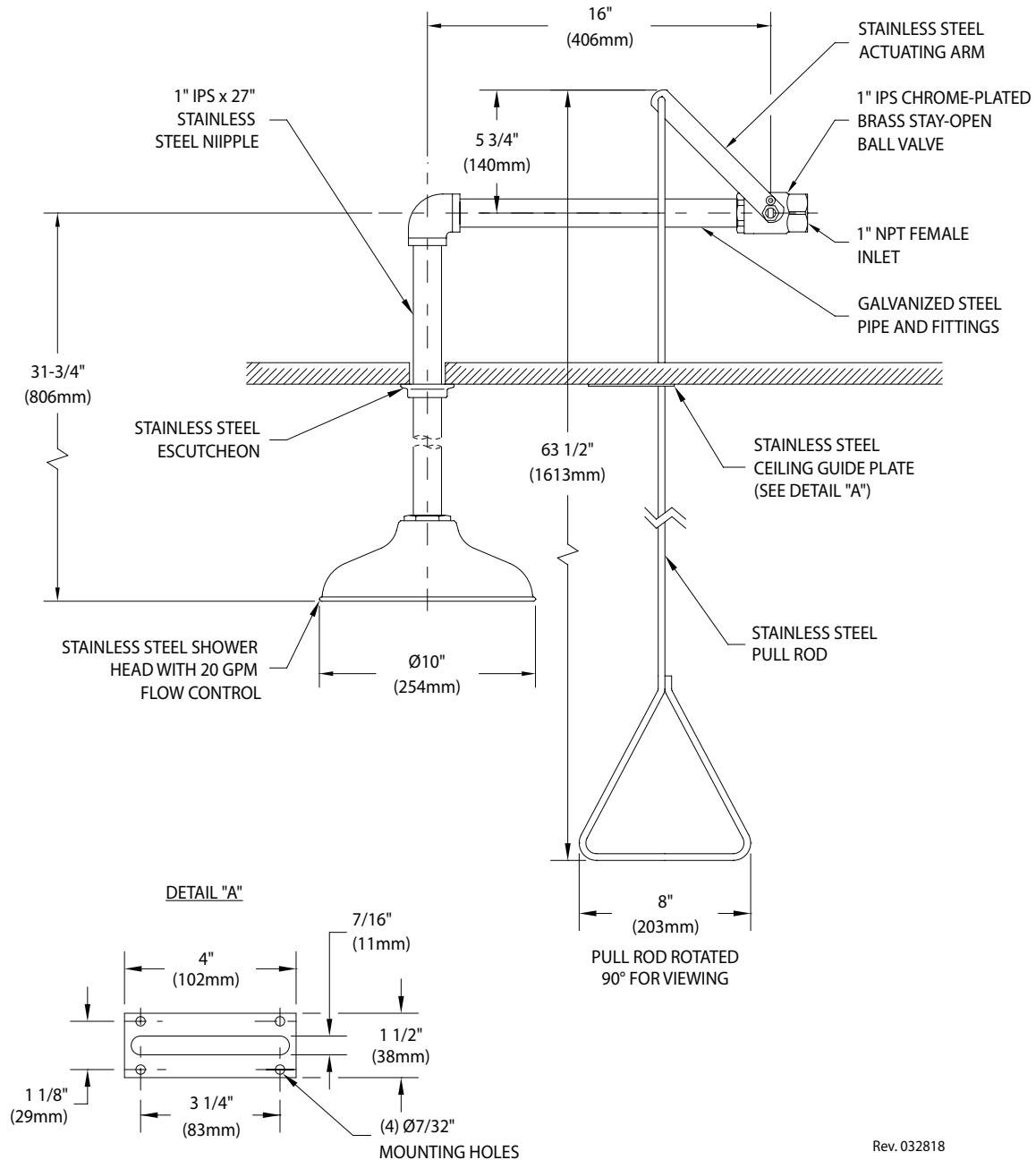
Supply: 1" NPT female inlet.

Sign: ANSI-compliant identification sign.

Available Options

- TM6040** Thermostatic mixing valve precisely blends hot and cold water to deliver tepid water as required by ANSI Z358.1-2014. Refer to "Thermostatic Mixing Valves" section for complete technical and product selection information.
- AP280-230** Electric strobe light and alarm horn unit for recess mounting in finished wall. Light illuminates and horn sounds when shower is activated. Furnished complete with flow switch and mounting hardware.

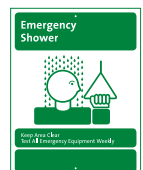
- ES658** Emergency Shower, Semi-Concealed, Stainless Steel Shower Head and Pipe
- ES658PCC** Emergency Shower, Semi-Concealed, Stainless Steel Shower Head, Polished Chrome Plated Pipe



Rev. 032818

THIS SPACE FOR ARCHITECT/ENGINEER APPROVAL

Sign Included



Due to continuing product improvement, the information contained in this document is subject to change without notice. All dimensions are $\pm 1/4"$ (6mm). rev. 062018