

- FE745** WideArea™ Eye/Face Wash, Unmounted, Stainless Steel Bowl
- FE745P** WideArea™ Eye/Face Wash, Unmounted, Plastic Bowl



**Application:** Unmounted WideArea™ eye/face wash. Four GS-Plus™ spray-type outlet heads deliver a flood of water over a wide area of coverage for complete rinsing of eyes and face.

**Spray Head Assembly:** Four GS-Plus™ spray heads. Each head has a “flip top” dust cover, internal flow control and filter to remove impurities from the water flow.

**Valve:** 1/2" IPS chrome plated brass stay-open ball valve. Valve is US-made with chrome plated brass ball and PTFE seals.

**Bowl:** 11-1/2" diameter. Bowl is stainless steel.

**Supply:** 1/2" NPT female inlet.

**Waste:** 1-1/4" NPT female outlet.

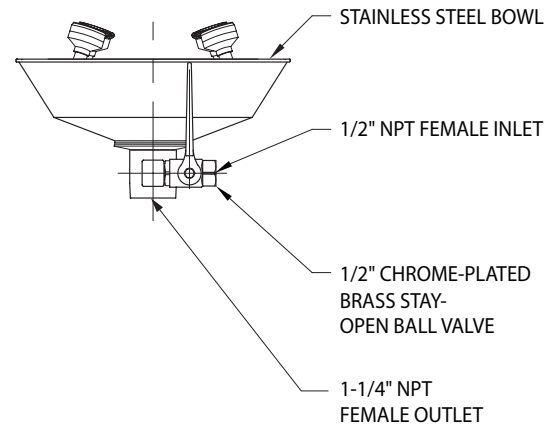
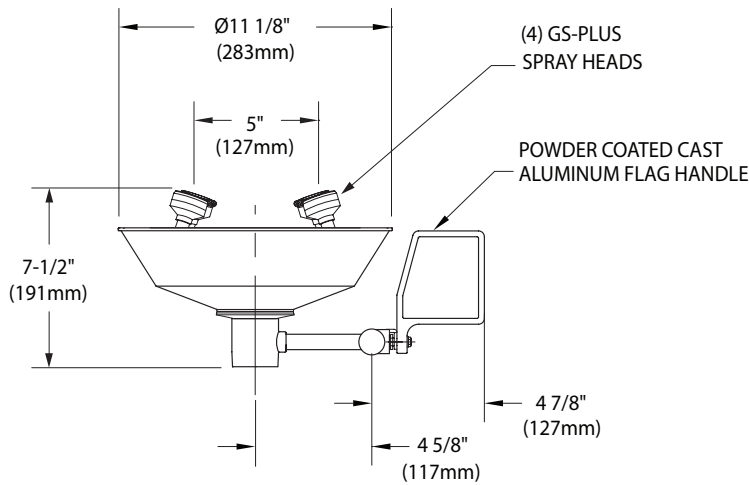
**Sign:** ANSI-compliant identification sign.

**Quality Assurance:** Valve, bowl and spray head assembly is factory assembled and water tested prior to shipment.

### Available Options

- TM6020** Thermostatic mixing valve precisely blends hot and cold water to deliver tepid water as required by ANSI Z358.1-2014. Refer to “Thermostatic Mixing Valves” section for complete technical and product selection information.
- BC** Stainless steel bowl cover. Cover protects unit against contaminants. Cover is automatically raised when unit is activated.
- DC** Stainless steel dust cover for each spray head.
- SC** Self-closing ball valve. *Note: Eye/face washes with self-closing valves do not comply with ANSI Z358.1-2014.*

- **FE745** WideArea™ Eye/Face Wash, Unmounted, Stainless Steel Bowl
- **FE745P** WideArea™ Eye/Face Wash, Unmounted, Plastic Bowl



**NOTE:**  
EACH GS-PLUS SPRAY HEAD HAS A "FLIP-TOP" DUST COVER, INTERNAL FLOW CONTROL AND FILTER TO REMOVE IMPURITIES FROM THE WATER FLOW.

THIS SPACE FOR ARCHITECT/ENGINEER APPROVAL

Due to continuing product improvement, the information contained in this document is subject to change without notice. All dimensions are  $\pm 1/4"$  (6mm). rev. 0622

Sign Included

