

**FE781** Eye/Face Wash, Wall Mounted, All-Stainless Steel



**Application:** Eye/face wash for wall mounting. Constructed entirely in stainless steel. Ideal for use in highly corrosive environments and cleanroom applications. Two large FS-Plus™ spray-type outlet heads deliver a flood of water for rinsing eyes and face.

**Spray Head Assembly:** Two FS-Plus™ spray heads. Each head has a “flip top” dust cover, internal flow control and filter to remove impurities from the water flow.

**Valve:** 1/2" IPS stainless steel stay-open ball valve. Valve has stainless steel ball and PTFE seals.

**Bowl:** 11-1/8" diameter stainless steel.

**Mounting:** Heavy duty stainless steel wall bracket.

**Supply:** 1/2" NPT female inlet.

**Waste:** 1-1/4" NPT female outlet.

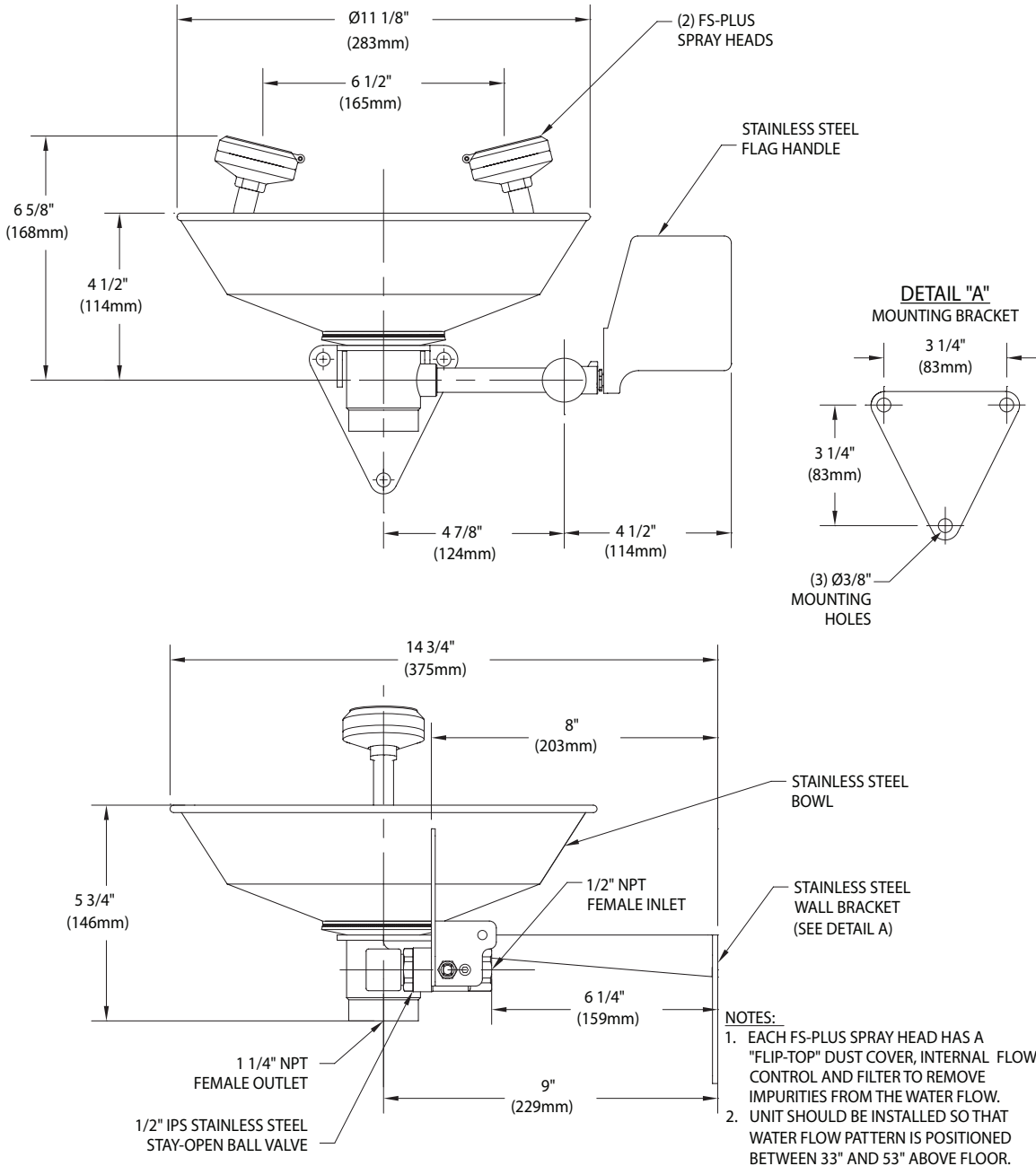
**Sign:** ANSI-compliant identification sign.

**Quality Assurance:** Unit is completely assembled and water tested prior to shipment.

### Available Options

- TM6020** Thermostatic mixing valve precisely blends hot and cold water to deliver tepid water as required by ANSI Z358.1-2014. Refer to “Thermostatic Mixing Valves” section for complete technical and product selection information.
- BC** Stainless steel bowl cover. Cover protects unit against contaminants. Cover is automatically raised when unit is activated.
- T** Chrome plated brass tailpiece and trap with 1-1/2" IPS waste connection.
- TP** 1-1/2" OD chrome plated brass tailpiece.

**FE781** Eye/Face Wash, Wall Mounted, All-Stainless Steel



THIS SPACE FOR ARCHITECT/ENGINEER APPROVAL

Sign Included



Due to continuing product improvement, the information contained in this document is subject to change without notice. All dimensions are  $\pm 1/4"$  (6mm). rev. 0422