

FE782 Eye/Face Wash, Wall Mounted, All-PVC Construction



Application: Eye/face wash for wall mounting. Constructed entirely in PVC and PVC-coated brass. Ideal for use in industrial environments where harsh acids or caustics are present. Two large FS-Plus™ spray-type outlet heads deliver a flood of water for rinsing eyes and face.

Spray Head Assembly: Two FS-Plus™ spray heads. Each head has a “flip top” dust cover, internal flow control and filter to remove impurities from the water flow.

Valve: 1/2" IPS PVC-coated brass stay-open ball valve. Valve is US-made with chrome plated brass ball and PTFE seals.

Bowl: 11-3/4" diameter orange ABS plastic.

Mounting: Heavy duty PVC wall bracket.

Supply: 1/2" NPT female inlet.

Waste: 1-1/2" socket weld female outlet.

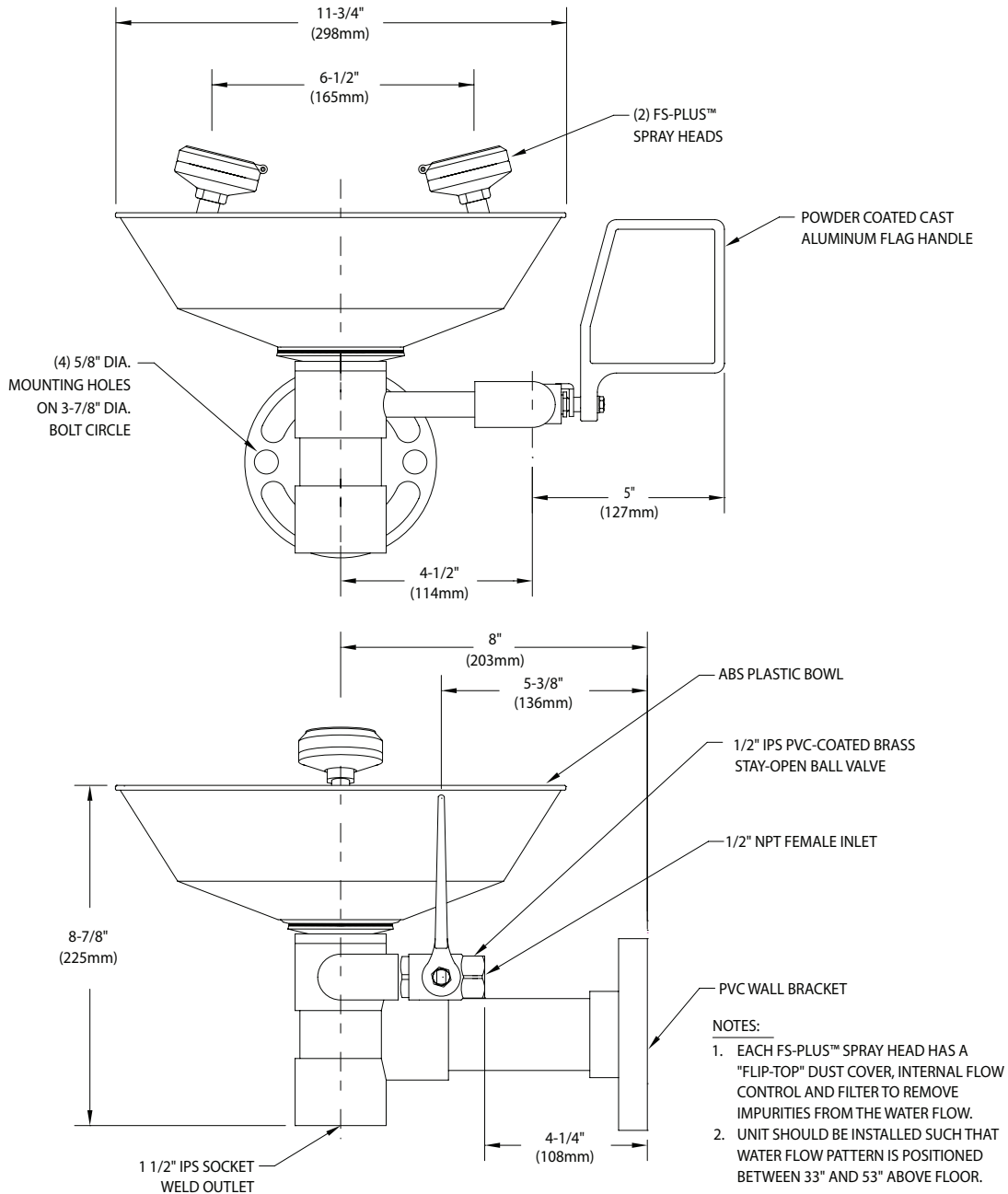
Sign: ANSI-compliant identification sign.

Quality Assurance: Unit is completely assembled and water tested prior to shipment.

Available Options

- TM6020** Thermostatic mixing valve precisely blends hot and cold water to deliver tepid water as required by ANSI Z358.1-2014. Refer to “Thermostatic Mixing Valves” section for complete technical and product selection information.
- GRN** Green ABS plastic bowl.
- YEL** Yellow ABS plastic bowl.

FE782 Eye/Face Wash, Wall Mounted, All-PVC Construction



THIS SPACE FOR ARCHITECT/ENGINEER APPROVAL

Sign Included



Due to continuing product improvement, the information contained in this document is subject to change without notice. All dimensions are $\pm 1/4"$ (6mm). rev. 0422