

FE784 Eye/Face Wash, Pedestal Mounted, All-Stainless Steel

Application: Free standing, pedestal mounted eye/face wash. Constructed entirely in stainless steel. Ideal for use in highly corrosive environments and clean room applications. Two large FS-Plus™ spray-type outlet heads deliver a flood of water for rinsing eyes and face.

Spray Head Assembly: Two FS-Plus™ spray heads. Each head has a “flip top” dust cover, internal flow control and filter to remove impurities from the water flow.

Valve: 1/2" IPS stainless steel stay-open ball valve. Valve has stainless steel ball and PTFE seals.

Bowl: 11-1/8" diameter stainless steel.

pipe and fittings: Schedule 40 stainless steel. Furnished with orange polyethylene covers on vertical piping for high visibility and corrosion resistance.

Supply: 1/2" NPT female inlet.

Waste: 1-1/4" NPT female outlet.

Sign: ANSI-compliant identification sign.

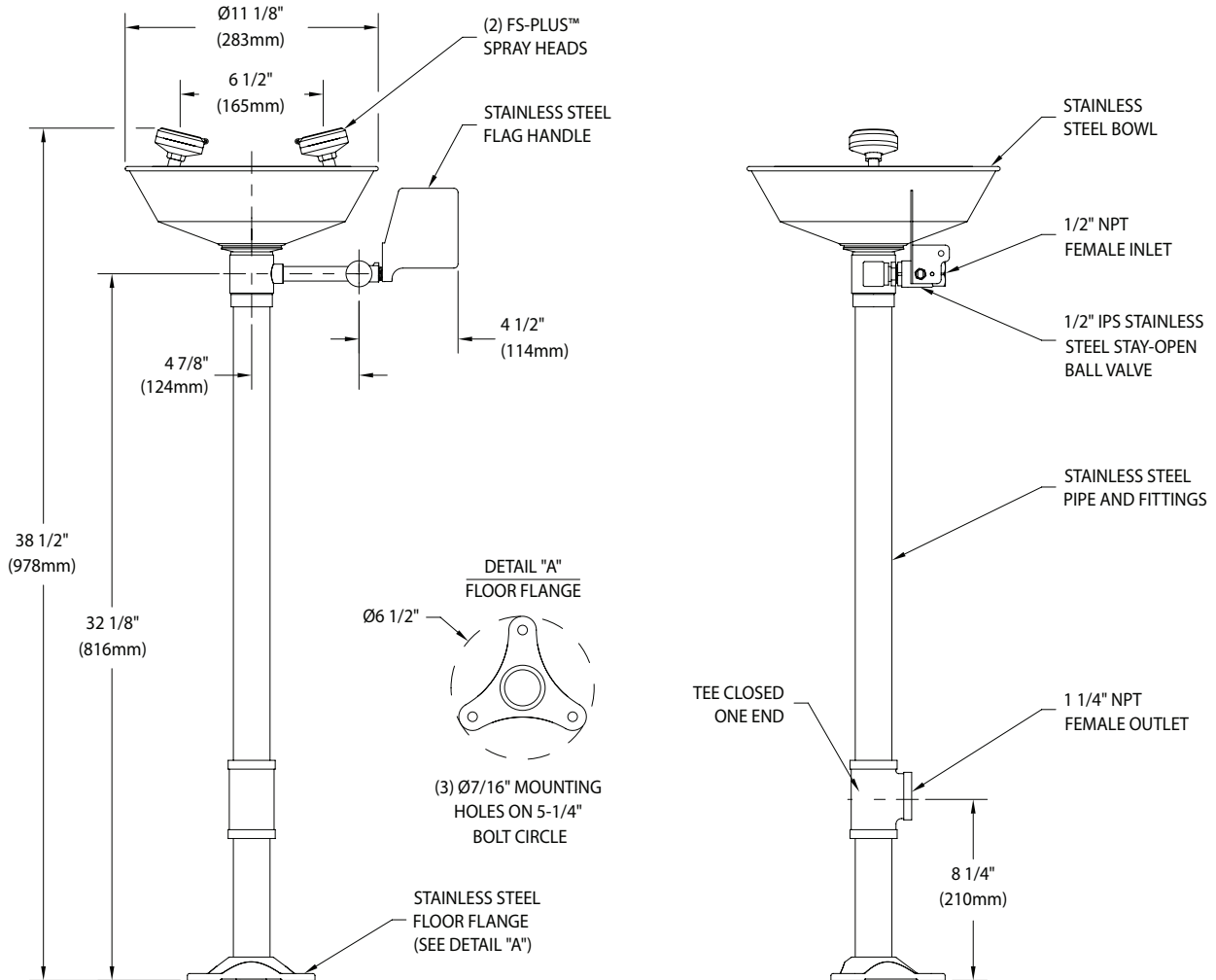
Quality Assurance: Valve, bowl and spray head assembly is factory assembled and water tested prior to shipment.

Available Options

- TM6020** Thermostatic mixing valve precisely blends hot and cold water to deliver tepid water as required by ANSI Z358.1-2014. Refer to “Thermostatic Mixing Valves” section for complete technical and product selection information.
- BC** Stainless steel bowl cover. Cover protects unit against contaminants. Cover is automatically raised when unit is activated.
- HFC** Hand and foot control. Eye/face wash is activated by flag handle or foot treadle.



FE784 Eye/Face Wash, Pedestal Mounted, All-Stainless Steel



NOTES:

1. EACH FS-PLUS™ SPRAY HEAD HAS A "FLIP-TOP" DUST COVER, INTERNAL FLOW CONTROL AND FILTER TO REMOVE IMPURITIES FROM THE WATER FLOW.
2. REVERSING THE TWO LOWEST PIPE NIPPLES RAISES THE DRAIN OUTLET TO 23-7/8" (606mm) A.F.F.

THIS SPACE FOR ARCHITECT/ENGINEER APPROVAL

Due to continuing product improvement, the information contained in this document is subject to change without notice. All dimensions are ± 1/4" (6mm). rev. 0422

Sign Included

