

FE792 WideArea™ Eye/Face Wash, Wall Mounted, All-PVC Construction



Application: WideArea™ eye/face wash for wall mounting. Constructed entirely in PVC and PVC-coated brass. Ideal for use in industrial environments where harsh acids or caustics are present. Four GS-Plus™ spray-type outlet heads deliver a flood of water over a wide area of coverage for complete rinsing of eyes and face.

Spray Head Assembly: Four GS-Plus™ spray heads. Each head has a “flip top” dust cover, internal flow control and filter to remove impurities from the water flow.

Valve: 1/2” IPS PVC-coated brass stay-open ball valve. Valve is US-made with chrome plated brass ball and PTFE seals.

Bowl: 11-3/4” diameter orange ABS plastic.

Mounting: Heavy duty PVC wall bracket.

Supply: 1/2” NPT female inlet.

Waste: 1-1/2” socket weld female outlet.

Sign: ANSI-compliant identification sign.

Quality Assurance: Unit is completely assembled and water tested prior to shipment.

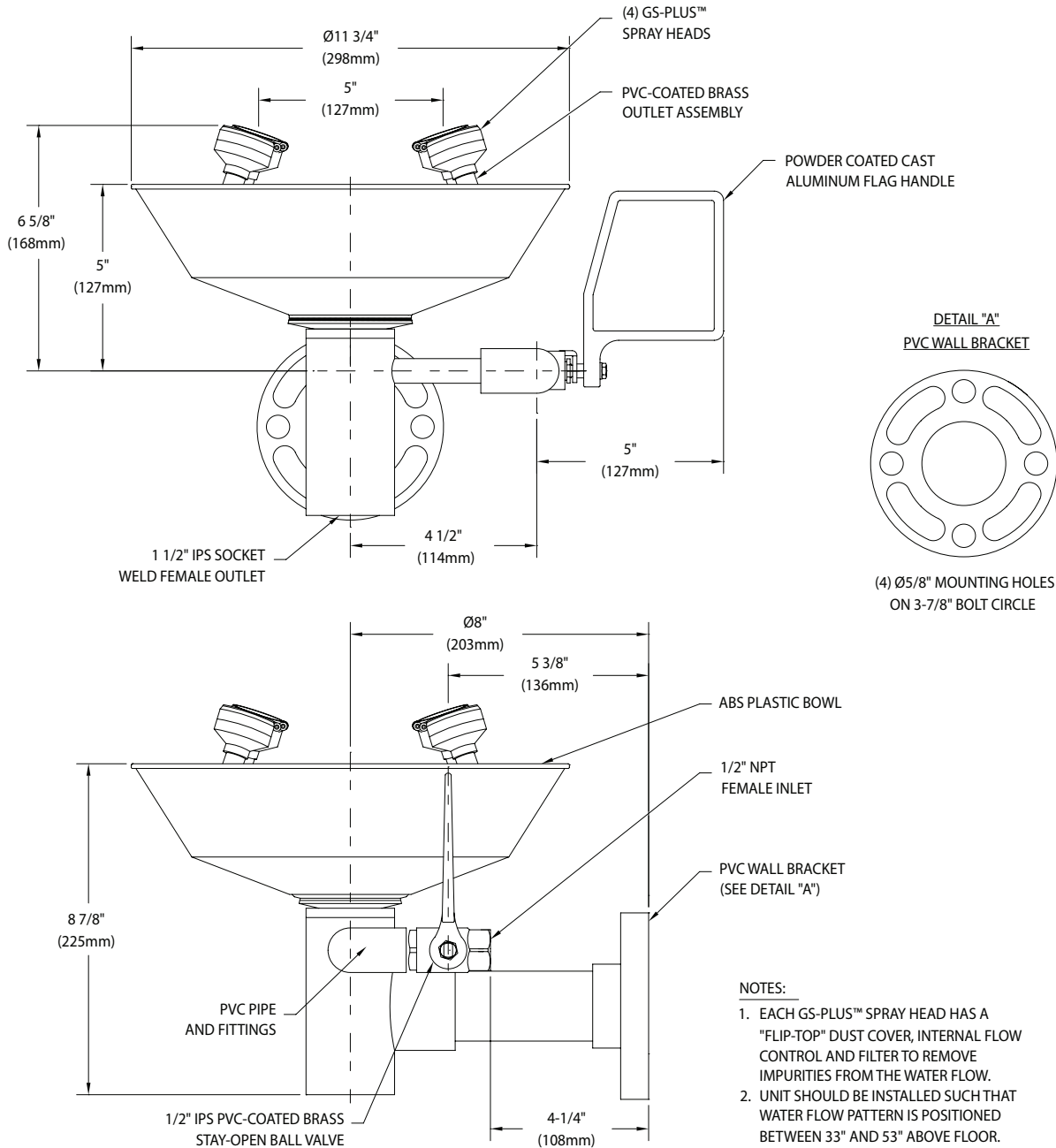
Available Options

TM6020 Thermostatic mixing valve precisely blends hot and cold water to deliver tepid water as required by ANSI Z358.1-2014. Refer to “Thermostatic Mixing Valves” section for complete technical and product selection information.

GRN Green ABS plastic bowl.

YEL Yellow ABS plastic bowl.

FE792 WideArea™ Eye/Face Wash, Wall Mounted, All-PVC Construction



- NOTES:**
1. EACH GS-PLUS™ SPRAY HEAD HAS A "FLIP-TOP" DUST COVER, INTERNAL CONTROL AND FILTER TO REMOVE IMPURITIES FROM THE WATER FLOW.
 2. UNIT SHOULD BE INSTALLED SUCH THAT WATER FLOW PATTERN IS POSITIONED BETWEEN 33" AND 53" ABOVE FLOOR.

THIS SPACE FOR ARCHITECT/ENGINEER APPROVAL

Due to continuing product improvement, the information contained in this document is subject to change without notice. All dimensions are $\pm 1/4"$ (6mm). rev. 0422

Sign Included

