

- EW815** Eyewash, Unmounted, Stainless Steel Bowl
- EW815P** Eyewash, Unmounted, Plastic Bowl



Application: Unmounted eyewash with stainless steel bowl. Two GS-Plus™ spray-type outlet heads deliver a flood of water for rinsing eyes.

Spray Head Assembly: Two GS-Plus™ spray heads. Each head has a “flip top” dust cover, internal flow control and filter to remove impurities from the water flow.

Valve: 1/2" IPS chrome plated brass stay-open ball valve. Valve is US-made with chrome plated brass ball and PTFE seals.

Bowl: 11-1/8" diameter stainless steel bowl (EW815) or 11-3/4" diameter orange ABS plastic (EW815P).

Supply: 1/2" NPT female inlet.

Waste: 1-1/4" NPT female outlet.

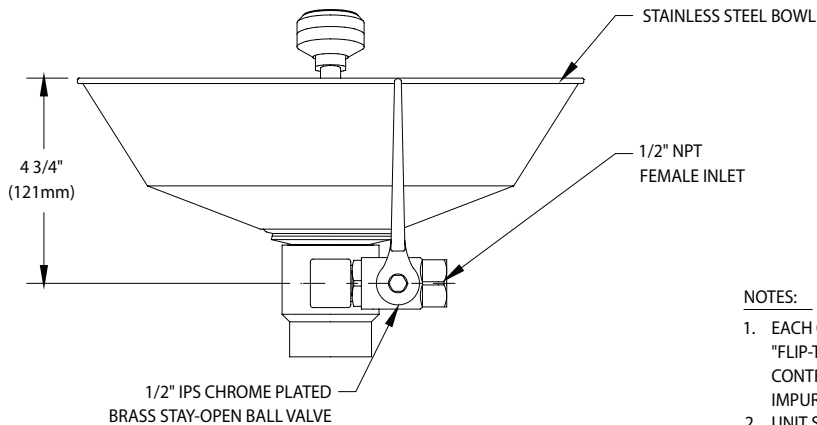
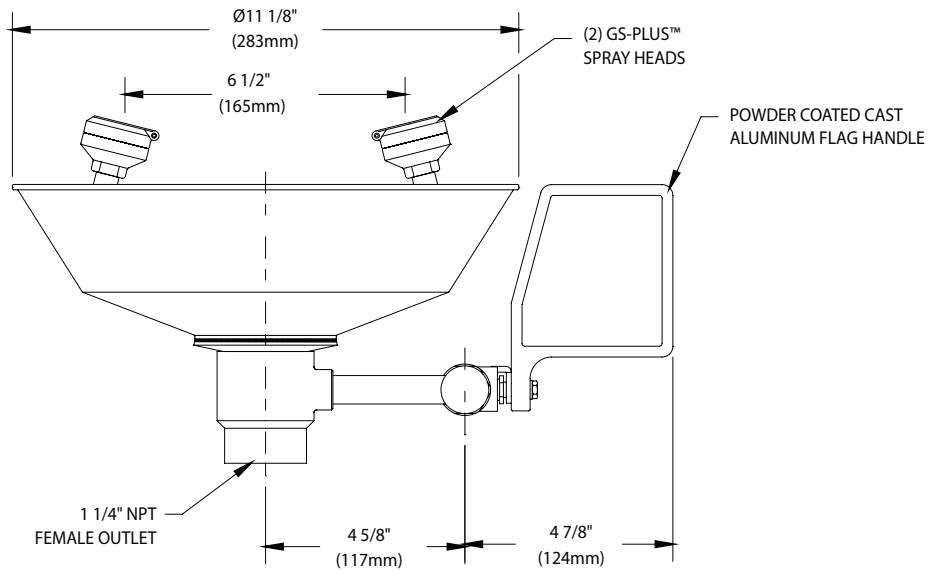
Sign: ANSI-compliant identification sign.

Quality Assurance: Valve, bowl and spray head assembly is factory assembled and water tested prior to shipment.

Available Options

- TM6020** Thermostatic mixing valve precisely blends hot and cold water to deliver tepid water as required by ANSI Z358.1-2014. Refer to “Thermostatic Mixing Valves” section for complete technical and product selection information.
- BC** Stainless steel bowl cover. Cover protects unit against contaminants. Cover is automatically raised when unit is activated.

- EW815** Eyewash, Unmounted, Stainless Steel Bowl
- EW815P** Eyewash, Unmounted, Plastic Bowl



NOTES:

1. EACH GS-PLUS™ SPRAY HEAD HAS A "FLIP-TOP" DUST COVER, INTERNAL FLOW CONTROL AND FILTER TO REMOVE IMPURITIES FROM THE WATER FLOW.
2. UNIT SHOULD BE INSTALLED SUCH THAT WATER FLOW PATTERN IS POSITIONED BETWEEN 33" AND 53" ABOVE FLOOR.

THIS SPACE FOR ARCHITECT/ENGINEER APPROVAL

Due to continuing product improvement, the information contained in this document is subject to change without notice. All dimensions are ± 1/4" (6mm). rev. 0422

Sign Included

