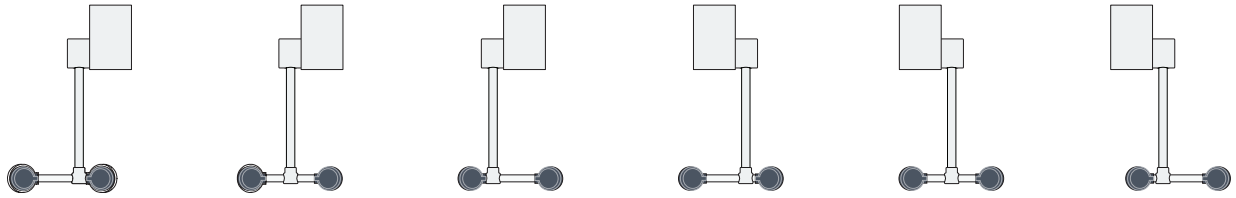
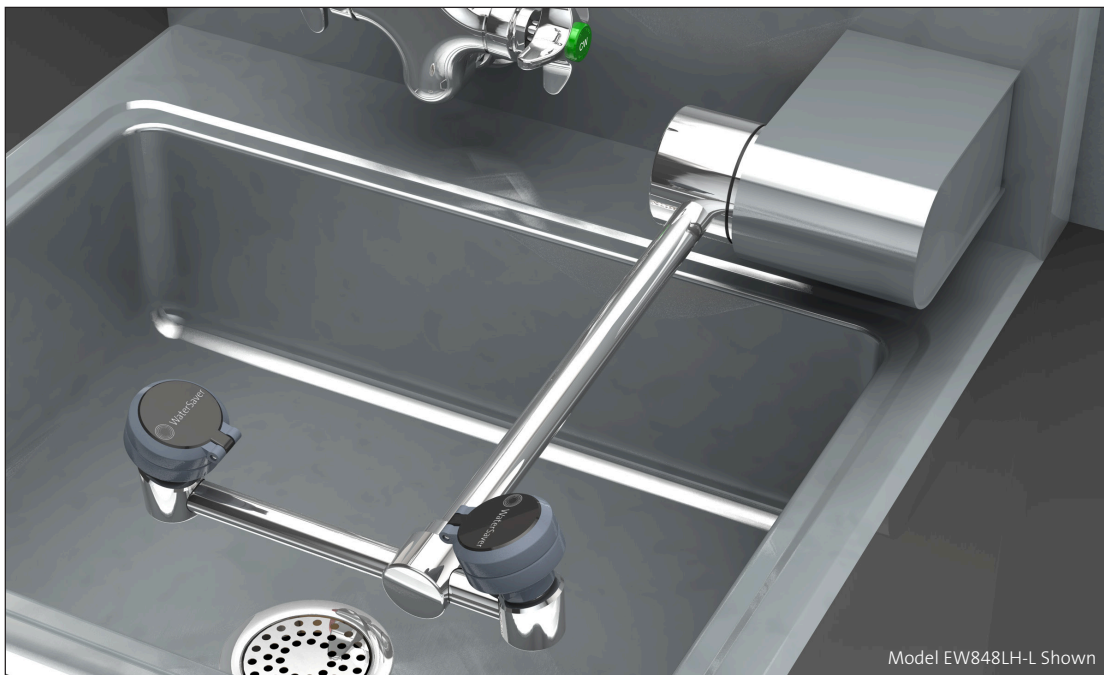


EW848 Eyewash, Wall Mounted, AutoFlow™ 90° Swing-Down



EW848LH-L **EW848LH** **EW848LH-R** **EW848L** **EW848** **EW848R**

Units shown in plan view



Model EW848LH-L Shown

Application: AutoFlow™ eyewash for mounting on wall. Spray heads swing down from storage to operational position, activating water flow. Available in a variety of spray head configurations to minimize obstructions at a sink. *Note: If unit is not installed at a sink, floor drain should be provided underneath unit to prevent accumulation of water on floor.*

Spray Head Assembly: Two GS-Plus™ spray heads. Each head has a “flip top” dust cover, internal flow control and filter to remove impurities from the water flow.

Valve: 1/2" IPS plug-type valve with Teflon® coated O-ring seals. Swinging head assembly from storage to operational position opens orifice and activates water flow. Unit remains in operation until head assembly is returned to storage position.

Strainer: Unit is furnished with in-line strainer to protect valve and spray heads from debris in water line.

Mounting: Valve is installed in Type 316 stainless steel housing. Mount housing on wall using anchors or other mounting hardware.

Construction: Polished chrome plated brass.

Supply: 1/2" NPT female inlet.

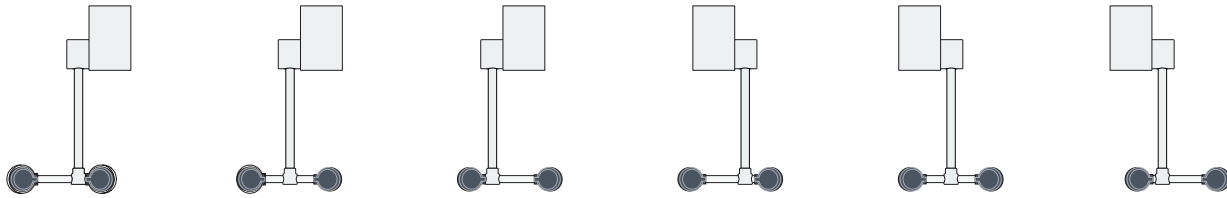
Sign: ANSI-compliant identification sign.

Quality Assurance: Unit is completely assembled and water tested prior to shipment.

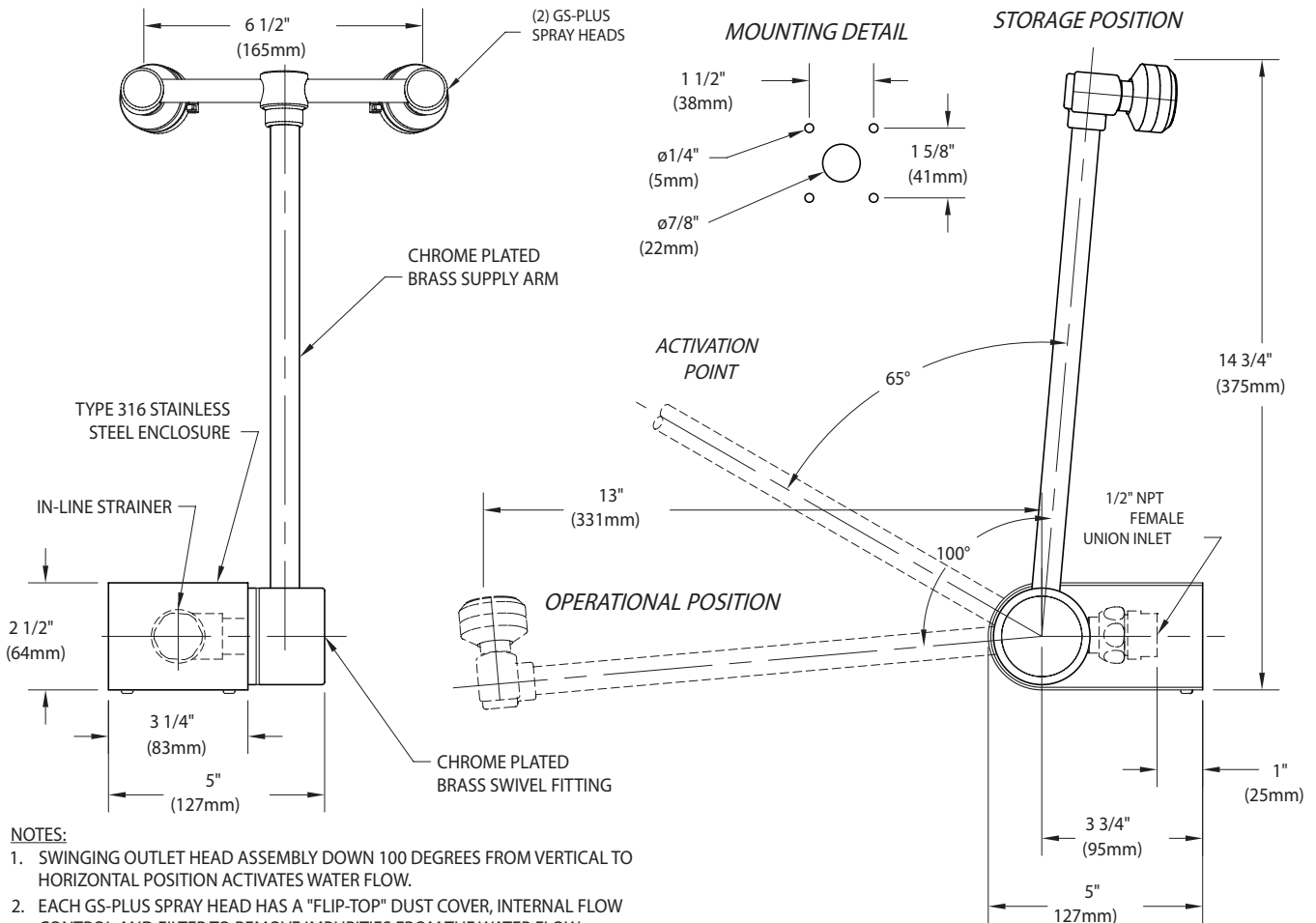
Available Options

- DC** Stainless steel dust cover for each spray head.
- TMV** AP3600 thermostatic mixing valve precisely blends hot and cold water to deliver warm (tepid) water as required by ANSI Z358.1-2014. Refer to “Tempering Units” section for complete technical and product selection information.

EW848 Eyewash, Wall Mounted, AutoFlow™ 90° Swing-Down



EW848LH-L **EW848LH** **EW848LH-R** **EW848L** **EW848** **EW848R**



THIS SPACE FOR ARCHITECT/ENGINEER APPROVAL

Due to continuing product improvement, the information contained in this document is subject to change without notice. All dimensions are ± 1/4" (6mm). rev. 0615

Sign Included

