

**EW892** Eyewash, Wall Mounted, All-PVC Construction



**Application:** Eyewash for wall mounting. Constructed entirely in PVC and PVC-coated brass. Ideal for industrial environments where harsh acids and caustics are present. Two GS-Plus™ spray-type outlet heads deliver a flood of water for rinsing eyes.

**Spray Head Assembly:** Two FS-Plus™ spray heads. Each head has a “flip top” dust cover, internal flow control and filter to remove impurities from the water flow.

**Valve:** 1/2” IPS PVC-coated brass stay-open ball valve. Valve is US-made with chrome plated brass ball and PTFE seals.

**Bowl:** 11-3/4” diameter orange ABS plastic.

**Mounting:** Heavy duty PVC wall bracket.

**Supply:** 1/2” NPT female inlet.

**Waste:** 1-1/2” socket weld female outlet.

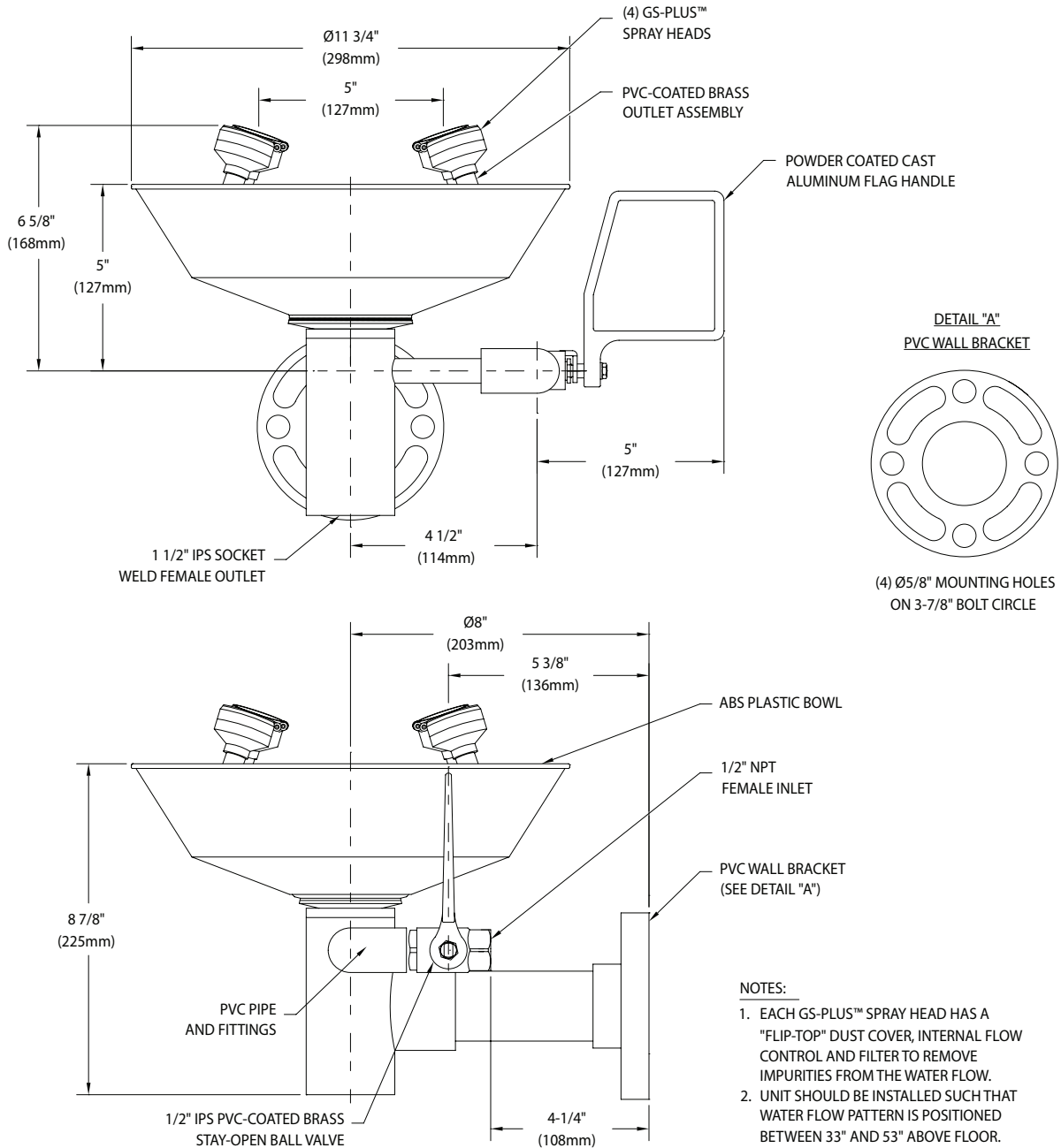
**Sign:** ANSI-compliant identification sign.

**Quality Assurance:** Unit is completely assembled and water tested prior to shipment.

### Available Options

- TM6020** Thermostatic mixing valve precisely blends hot and cold water to deliver tepid water as required by ANSI Z358.1-2014. Refer to “Thermostatic Mixing Valves” section for complete technical and product selection information.
- GRN** Green ABS plastic bowl.
- YEL** Yellow ABS plastic bowl.

**EW892** Eyewash, Wall Mounted, All-PVC Construction



THIS SPACE FOR ARCHITECT/ENGINEER APPROVAL

Sign Included



Due to continuing product improvement, the information contained in this document is subject to change without notice. All dimensions are  $\pm 1/4"$  (6mm). rev. 0522