

G1562HAT Portable Eyewash/Drench Hose Unit, 15 Gallon, with Hand Truck

Application: Portable eyewash/drench hose unit uses air pressure to deliver 10 gallons (37.5 liters) of water for 15 minutes. For use in low hazard areas where a continuous supply of water is not available. Unit is mounted on two wheel hand truck for ease of installation and movement.

Installation: Unit can be placed in any area where hazards are present. To prepare unit for use, fill with 10 gallons (37.5L) of clean potable water and add bacteriostatic additive (supplied with unit). Bacteriostatic additive protects against growth of bacteria, fungus, algae and acanthamoeba. After filling, pressurize with 80 PSI (5.5 bar) air pressure.

Hand Truck: Unit is mounted on two-wheel hand truck for ease of installation and movement. Hand truck has painted steel frame with handles and (2) rubber wheels. Unit is secured to truck with clamp.

Tank: 15 gallon (56L) stainless steel tank. Tank has built-in carrying handles, air intake valve, pressure gauge and pressure relief valve.

Eyewash: Use to wash user's eyes for 15 minutes. Furnished with (2) GS-Plus low flow spray heads with "flip top" dust covers, integral flow controls and filters. Valve is ½" IPS chrome plated brass ball valve with flag handle. User's hands are free while eyewash is in operation.

Drench Hose: For rinsing any part of the user's eyes, face or body. Furnished with single GS-Plus spray head, self-closing valve with handle and 6 foot (2m) reinforced PVC hose.

Discharge Time: Eyewash delivers .7 GPM (2.6L/min) for 15 minutes. Drench hose delivers 1.7 GPM (6.4L/min) for 6 minutes. Discharge time is less if eyewash and drench hose are used simultaneously.

Weight: 75 lbs. (34kg) empty, 156 lbs. (70.8kg) filled.

Sign: Furnished with ANSI-compliant sign.

Quality Assurance: Unit is assembled and factory tested prior to shipment.

Maintenance: Unit must be inspected regularly. Refill unit after testing or use. Water and bacteriostatic additive must be changed at least once every six months.

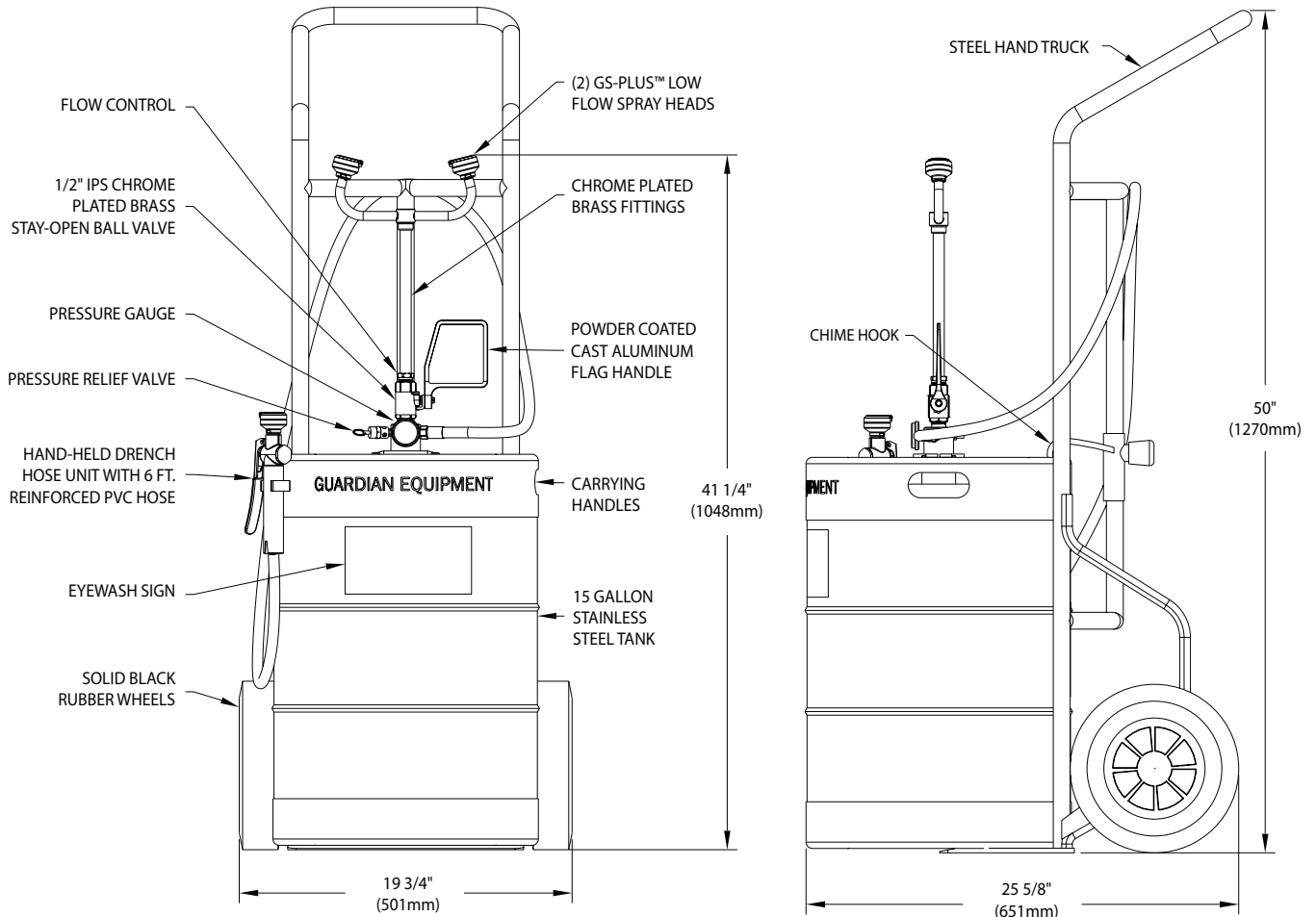
Shipping Note: Due to the size of the components, this unit is shipped in two cartons.

Available Options

- G1540BA-R** Case of (4) replacement bottles of bacteriostatic additive.
- AP200-013** Hand truck only.



G1562HAT Portable Eyewash/Drench Hose Unit, 15 Gallon, with Hand Truck



WEIGHT:
 EMPTY: 75 LBS. (34KG)
 FULL: 156 LBS. (70.8KG)

EFFECTIVE CAPACITY:
 APPROX. 10 GALLONS (38L)

Rev. 031521

THIS SPACE FOR ARCHITECT/ENGINEER APPROVAL

Due to continuing product improvement, the information contained in this document is subject to change without notice. All dimensions are $\pm 1/4"$ (6mm). rev. 031521

Sign Included

