

SSBF2152 Recessed Safety Station with Drain Pan and Daylight Drain, Exposed Shower Head

Application: Recessed barrier-free eye/face wash and shower safety station with ceiling mounted exposed shower head and drain pan. Stainless steel cover provides attractive appearance and protects unit when not in use. When activated, cover serves as pan to collect waste water and return it into unit for drainage. Rather than connecting to building drainage system, unit has 1-1/2" OD drain connection on front of unit for waste water. Front drain provides for less costly installation while facilitating regular testing of unit.

ADA Compliance: When installed at recommended mounting heights, unit complies with ADA requirements for accessibility by handicapped persons.

Shower Head: 10" diameter stainless steel.

Shower Valve: 1" IPS brass stay-open ball valve with stainless steel "panic bar" actuator.

Cover/Drain Pan: 16 gauge stainless steel combination cover and drain pan. Grasping "panic bar" handle and opening cover pulls spray head assembly down from vertical to horizontal position, activating water flow. While unit is in operation, waste water is collected in drain pan and returned into cabinet for drainage. Unit remains in operation until cover is returned to closed position.

Eye/Face Wash Spray Head Assembly: Two FS-Plus™ spray heads mounted on supply arms. Each spray head has individually adjustable flow control and filter to remove impurities from water.

Eye/Face Wash Valve: 1/2" IPS brass plug-type valve with O-ring seals. Furnished with in-line strainer to protect valve from debris and foreign matter.

Mounting: 16 gauge stainless steel cabinet with flanged rim for recessed mounting in wall. Unit fits in standard 3-5/8" deep wall.

Pipe and Fittings: Exposed pipe and escutcheon are brushed stainless steel.

Supply: 1" NPT female inlet.

Waste: 1-1/2" O.D. tailpiece on front of unit with hinged stainless steel cover.

Sign: Furnished with ANSI-compliant identification sign.

Quality Assurance: Unit is completely assembled and water tested prior to shipment.

U.S. Patent 5,768,721

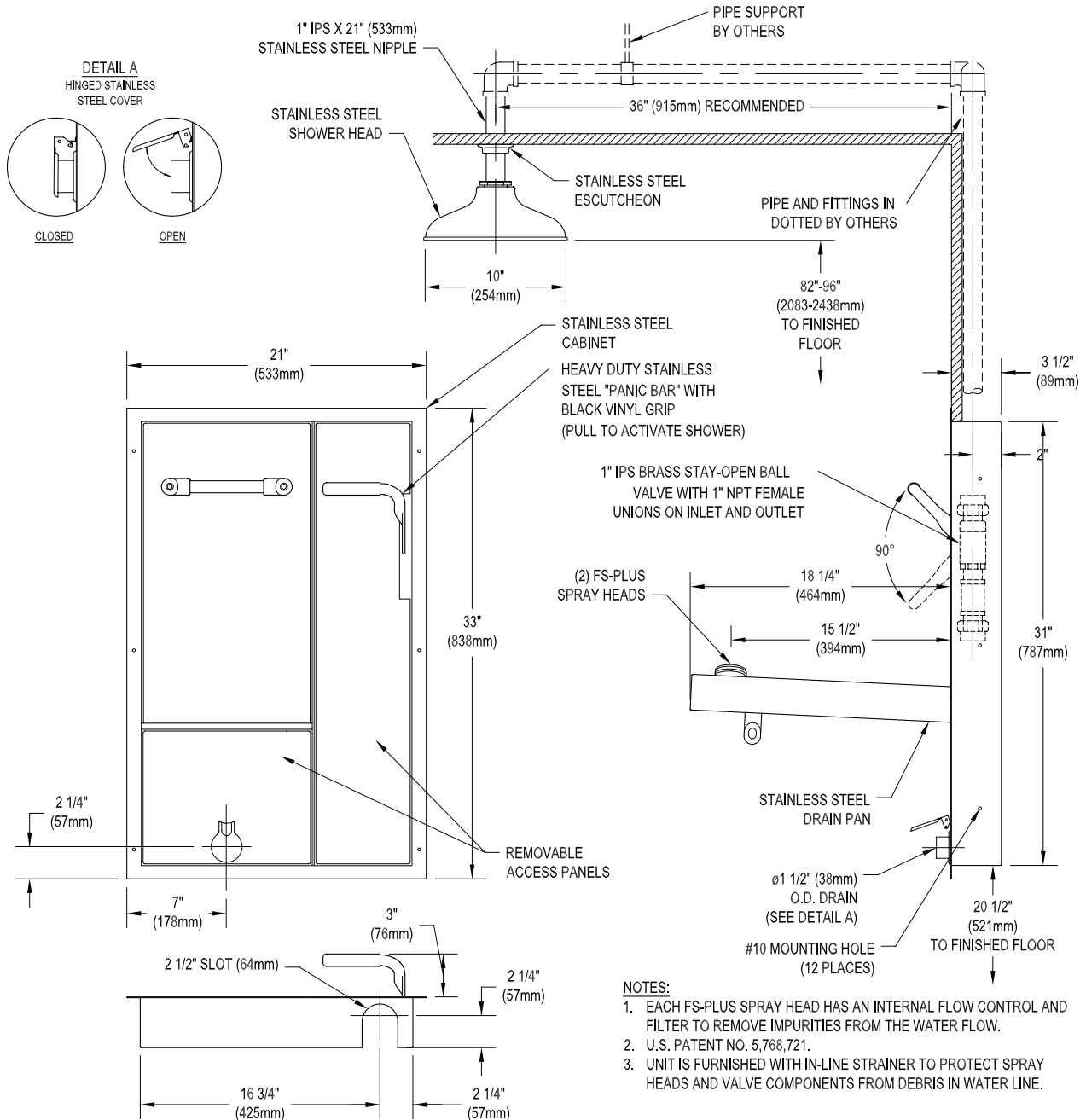
Available Options

- PCC** Polished chrome plated brass shower supply nipple.
- AP250-064** Test Kit
- AP250-065** Modesty Curtain
- AP280-235** Electric Light and Alarm Horn
- TMV** AP3800 thermostatic mixing valve.



Note: Shown with optional AP280-235 electric light and alarm horn unit (sold separately).

SSBF2152 Recessed Safety Station with Drain Pan and Daylight Drain, Exposed Shower Head



THIS SPACE FOR ARCHITECT/ENGINEER APPROVAL

Sign Included



Due to continuing product improvement, the information contained in this document is subject to change without notice. All dimensions are ± 1/4" (6mm). rev. 0315

WaterSaver
701 W Erie St
Chicago, IL 60654

312 666 5500 TELEPHONE
312 666 5501 FACSIMILE
wsflab.com



Listed 8116. Units have been tested to and comply with ANSI Z358.1-2014 and the Uniform Plumbing Code.



ETL Listed 101496. Units have been tested to and comply with ANSI Z358.1-2014.

