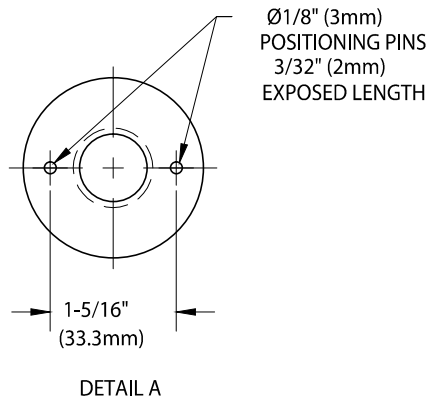
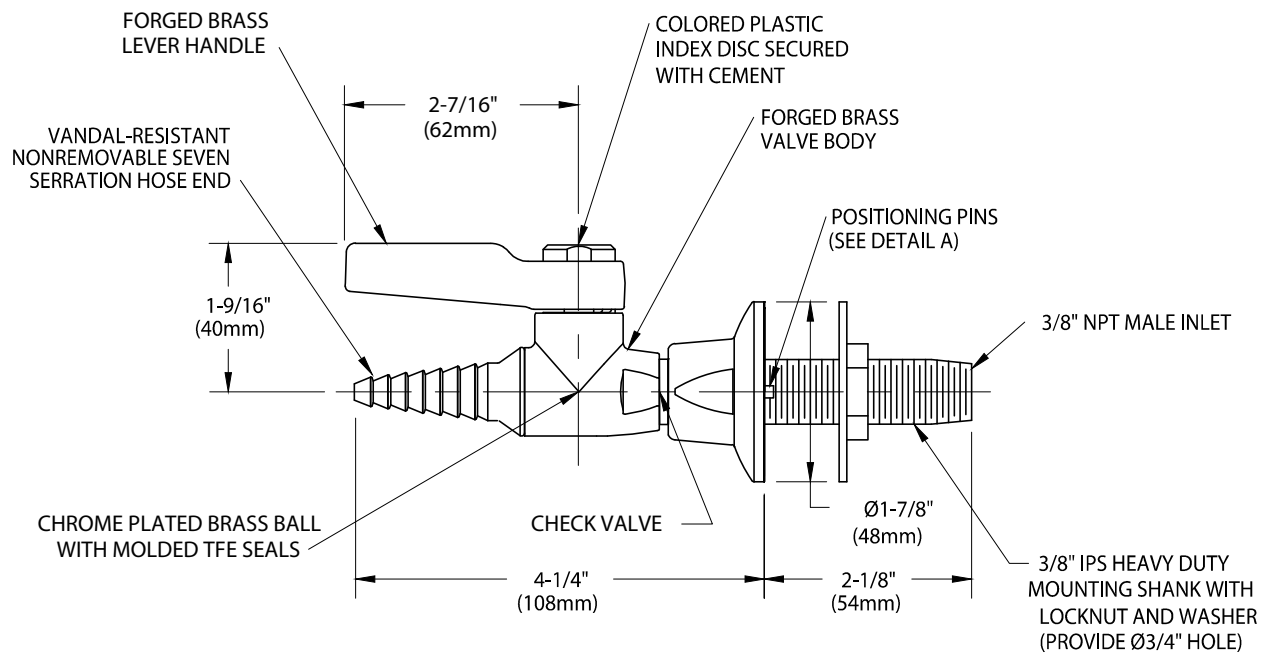


VR4100-158WSA

LABORATORY BALL VALVE ASSEMBLY, VANDAL-RESISTANT, PANEL MOUNTED SINGLE



NOTES:



1. LABORATORY BALL VALVE IS CERTIFIED BY CSA INTERNATIONAL TO COMPLY WITH ANSI Z21.15 AND CGA 9.1.
2. FIXTURE IS FULLY ASSEMBLED AND FACTORY TESTED AT 125 PSI AIR PRESSURE. MAXIMUM WORKING PRESSURE IS 75 PSI.
3. SPECIFY IF CLEANING FOR OXYGEN AND HIGH PURITY GASES IS REQUIRED
4. ALL THREADED CONNECTIONS ARE SECURED WITH CEMENT.
5. FIXTURE HAS A POLISHED CHROME PLATED FINISH.

MEASUREMENTS MAY VARY ±1/4" (6mm).

WaterSaver Faucet Co. 312 666 5500 t
701 West Erie Street 312 666 5501 f
Chicago, IL 60654 wsflab.com

Drawing Number:

Revised: 030613-TEC