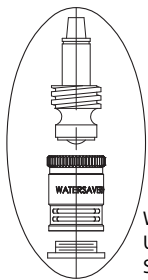
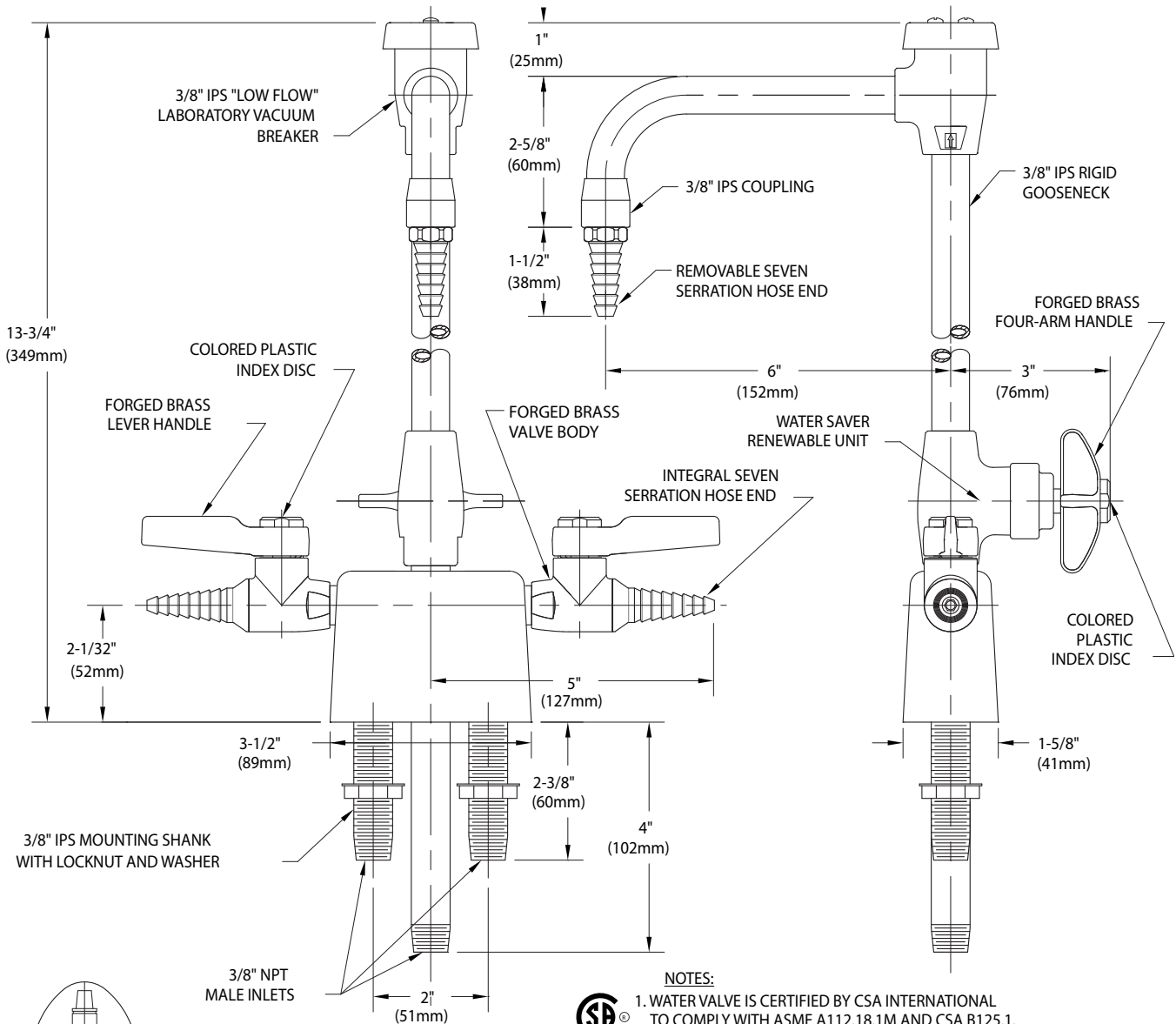


○ L68VB-WSA Combination Fixture For Cold Water And Gas, 6" Rigid Vacuum Breaker Gooseneck



WATER SAVER RENEWABLE UNIT WITH REPLACEABLE STAINLESS STEEL SEAT

NOTES:



1. WATER VALVE IS CERTIFIED BY CSA INTERNATIONAL TO COMPLY WITH ASME A112.18.1M AND CSA B125.1.
2. VACUUM BREAKER IS CERTIFIED TO COMPLY WITH ASSE 1001.
3. LABORATORY BALL VALVES ARE CERTIFIED BY CSA INTERNATIONAL TO COMPLY WITH ANSI Z21.15 AND CGA 9.1.
4. FIXTURE IS FULLY ASSEMBLED AND FACTORY TESTED PRIOR TO SHIPMENT.
5. FIXTURE MAY BE USED FOR COLD WATER AND NATURAL GAS, AIR OR VACUUM. UNLESS OTHERWISE SPECIFIED, FIXTURE IS FURNISHED WITH INDEX DISCS FOR GAS.
6. FIXTURE HAS A POLISHED CHROME PLATED FINISH.

Measurements may vary ± 1/4".