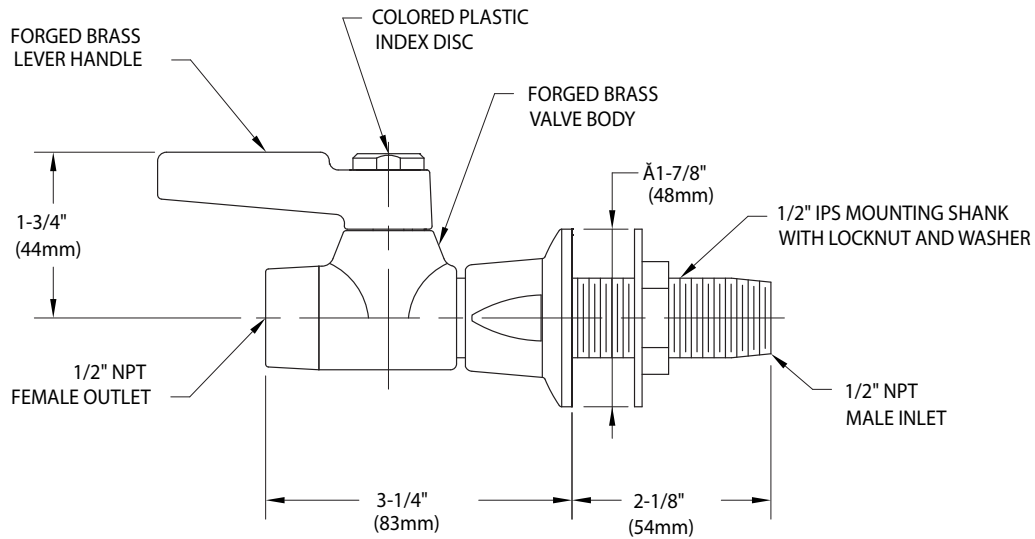


○ **L4301-159WSA** High Flow Laboratory Water Valve Assembly, Panel Mounted Single



NOTES:

1. VALVE IS FULL PORT BALL VALVE WITH CHROME PLATED BRASS BALL AND MOLDED PTFE SEALS.
2. FIXTURE IS FULLY ASSEMBLED AND FACTORY TESTED PRIOR TO SHIPMENT.
3. FIXTURE HAS A POLISHED CHROME PLATED FINISH.

Measurements may vary $\pm 1/4"$.