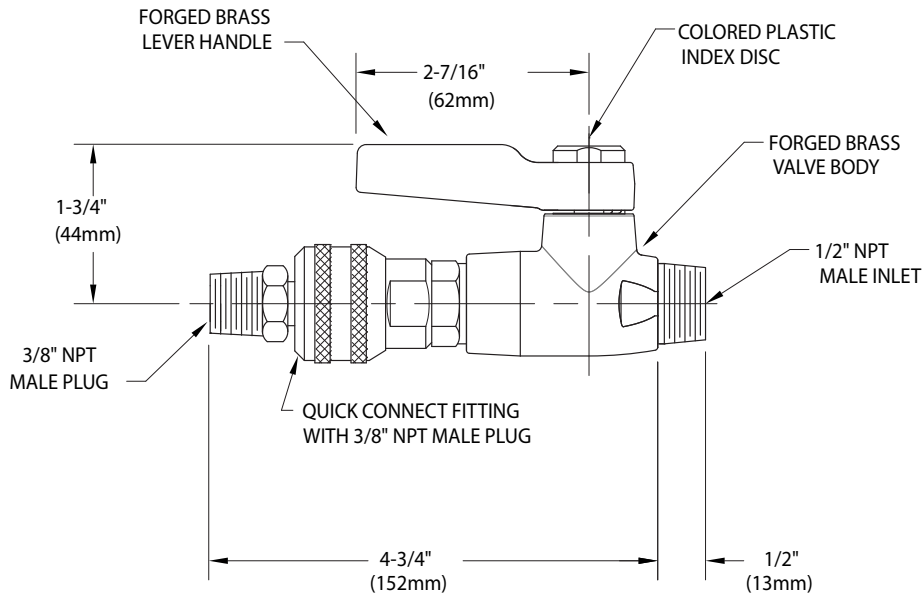


○ **L4303** High Flow Laboratory Water Valve, Straight Pattern, Quick Connect Outlet



**NOTES:**

1. VALVE IS FULL PORT BALL VALVE WITH CHROME PLATED BRASS BALL AND MOLDED PTFE SEALS.
2. VALVE IS FULLY ASSEMBLED AND FACTORY TESTED PRIOR TO SHIPMENT.
3. VALVE HAS A POLISHED CHROME PLATED FINISH.

Measurements may vary  $\pm 1/4"$ .