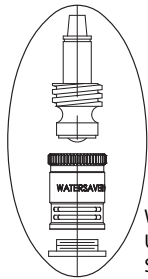
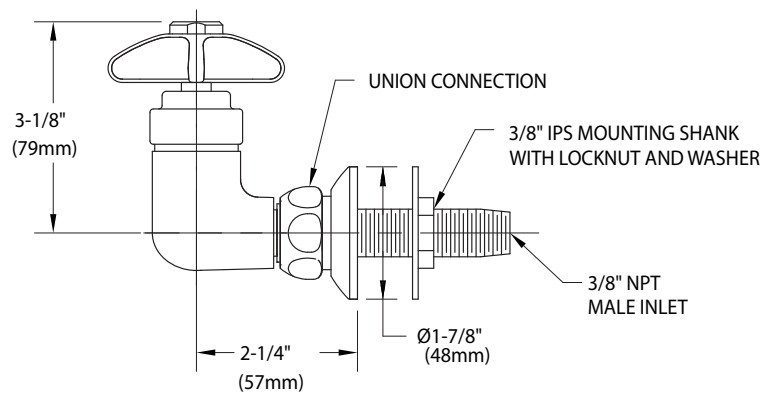
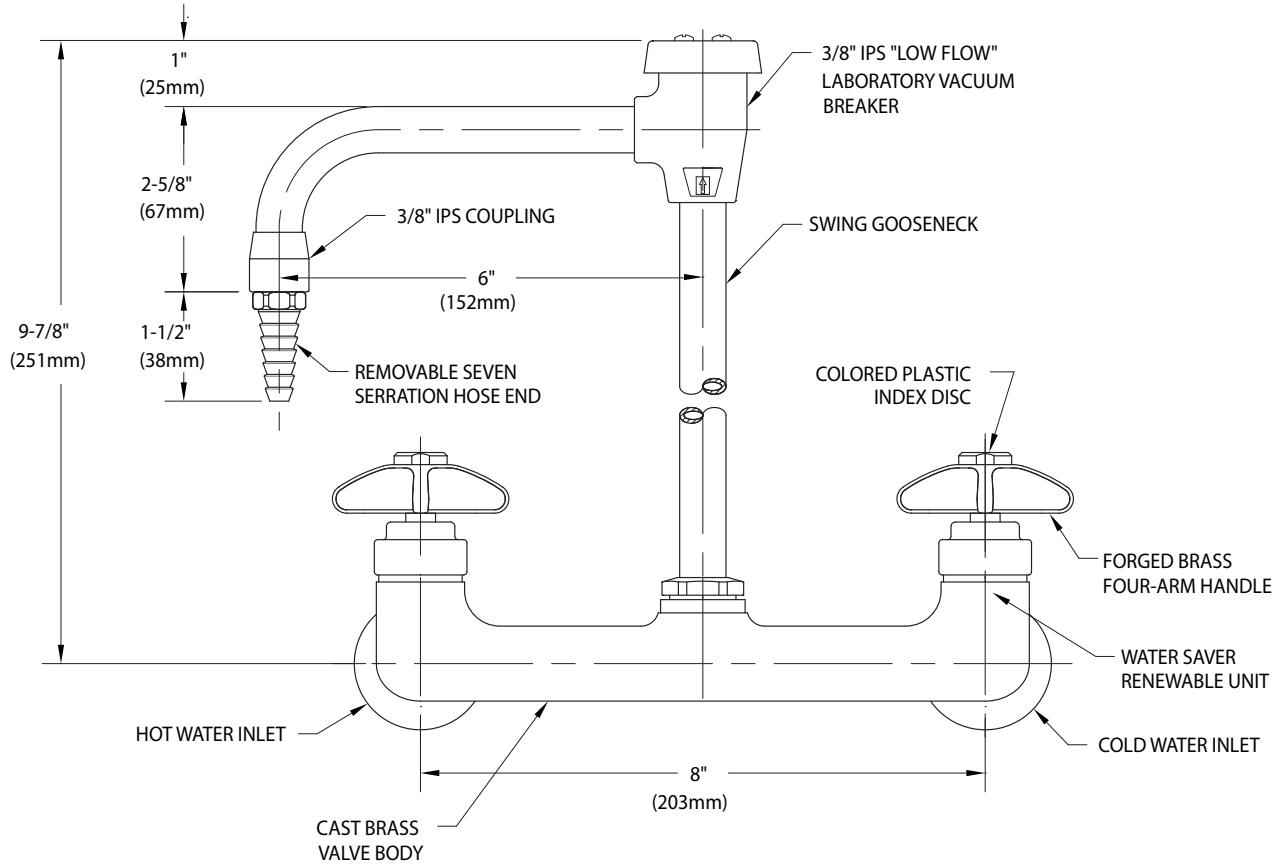


○ **L512VB-WSA** Laboratory Mixing Faucet, Panel Mounted, 6" Swing Vacuum Breaker Gooseneck, Mounting Shanks



**NOTES:**

1. FIXTURE IS FULLY ASSEMBLED AND FACTORY TESTED PRIOR TO SHIPMENT.
2. VACUUM BREAKER IS CERTIFIED TO COMPLY WITH ASSE 1001.
3. FIXTURE IS CERTIFIED BY CSA INTERNATIONAL TO COMPLY WITH ASME A112.18.1M AND CSA B125.1.
4. FIXTURE HAS A POLISHED CHROME PLATED FINISH.



Measurements may vary ± 1/4".