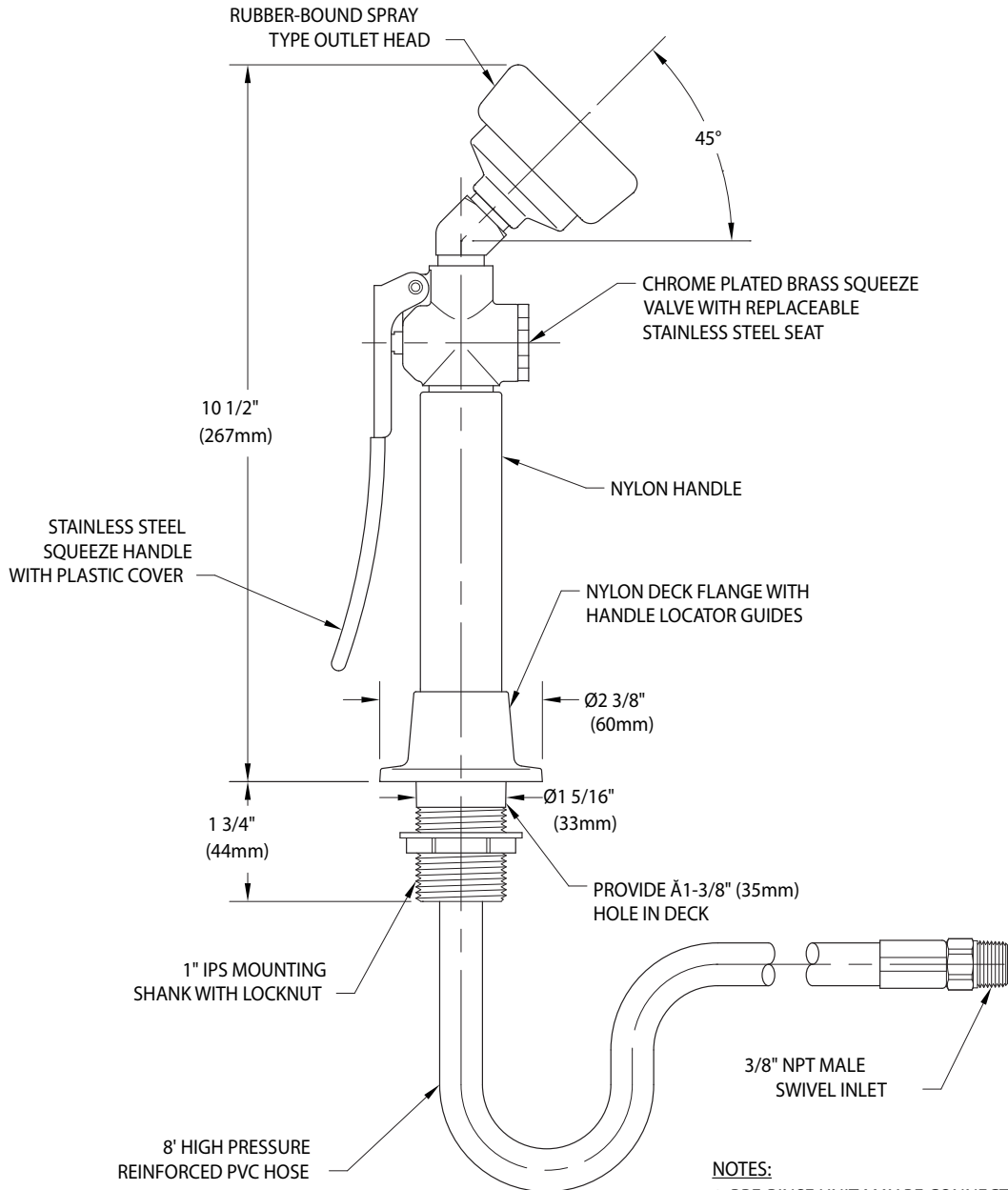


### PR1020 Pre-Rinse Unit, Deck Mounted



#### NOTES:

1. PRE-RINSE UNIT MAY BE CONNECTED TO COLD WATER SUPPLY, TO FOOT-OPERATED VALVE OR TO L2200 SERIES WATER FIXTURES AS REQUIRED.
2. HOSE SHOULD NOT BE USED IN APPLICATIONS WHERE WATER PRESSURE EXCEEDS 90 PSI INSPECT HOSE PERIODICALLY FOR DETERIORATION.
3. IF VACUUM BREAKER IS REQUIRED, ADD SUFFIX "VB".
4. ALL EXPOSED BRASS COMPONENTS ARE FURNISHED WITH A POLISHED CHROME PLATED FINISH.

Measurements may vary  $\pm 1/4"$ .