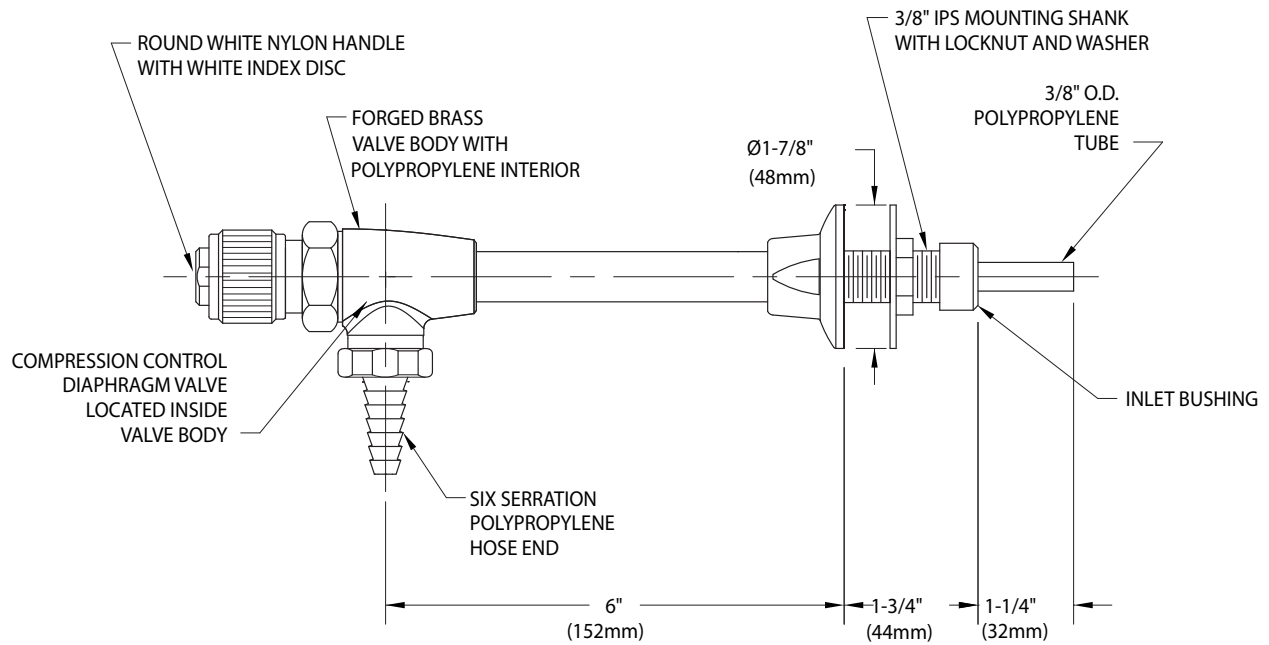


○ **L7834** Pure Water Faucet, Polypropylene-Lined, Panel Mounted



NOTES:

1. MAXIMUM WORKING PRESSURE IS 75 PSI.
2. ALL COMPONENTS IN CONTACT WITH PURE WATER ARE POLYPROPYLENE.
3. FIXTURE HAS A POLISHED CHROME PLATED FINISH.

Measurements may vary $\pm 1/4"$.