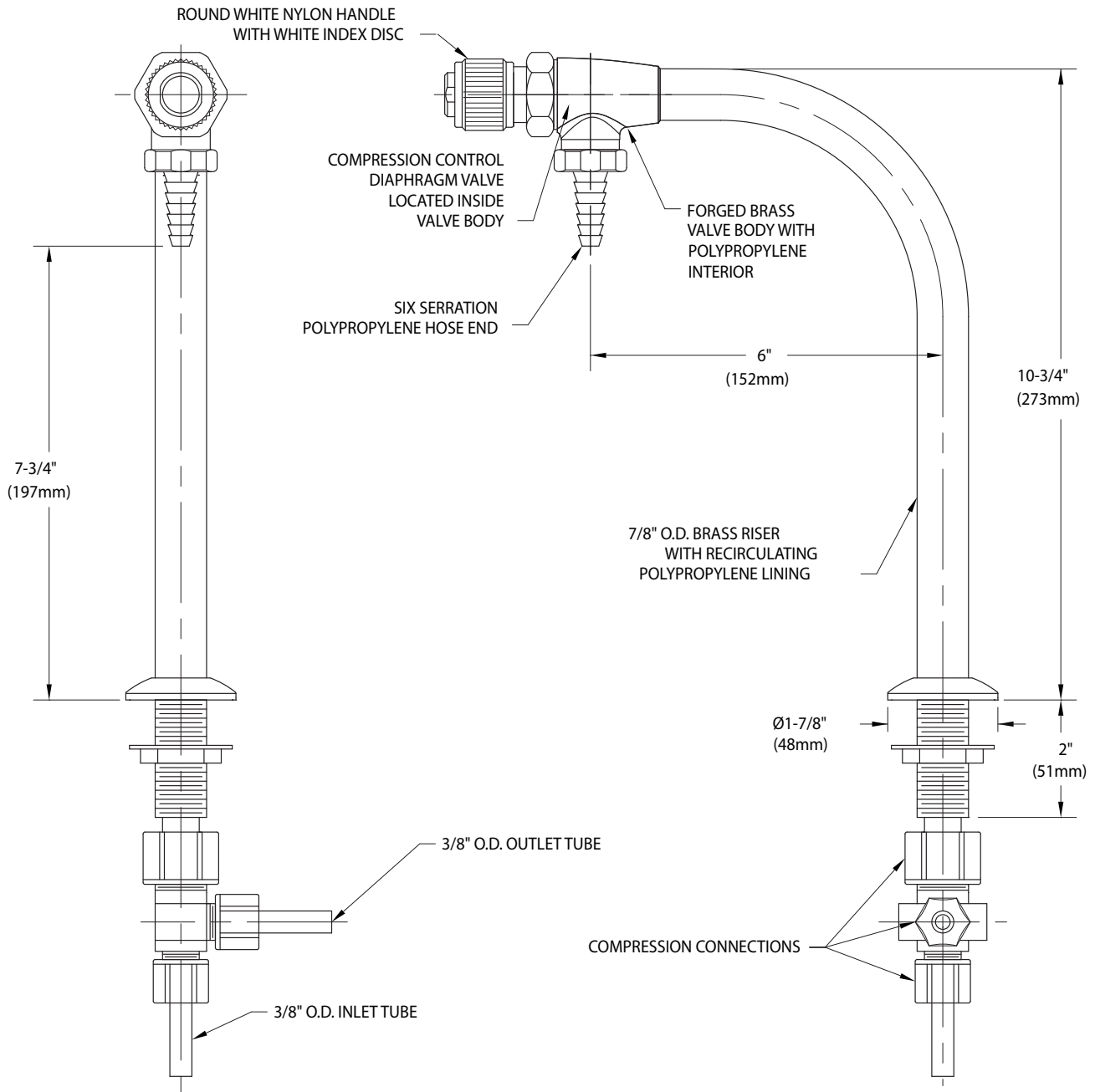


○ **L7837** Recirculating Pure Water Faucet, Polypropylene-Lined, Deck Mounted, Manual Control



NOTES:

1. FIXTURE HAS FULLY RECIRCULATING CONFIGURATION
2. MAXIMUM WORKING PRESSURE IS 75 PSI.
3. ALL COMPONENTS IN CONTACT WITH PURE WATER ARE INERT POLYPROPYLENE.
4. MAXIMUM COUNTER THICKNESS IS 1-1/4".
5. FIXTURE HAS A POLISHED CHROME PLATED FINISH.

Measurements may vary ± 1/4".