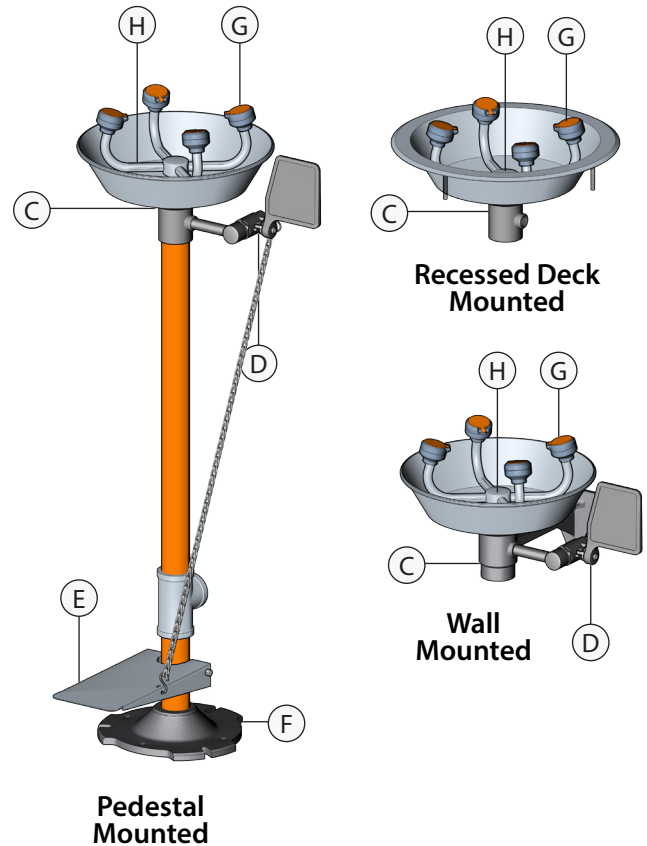
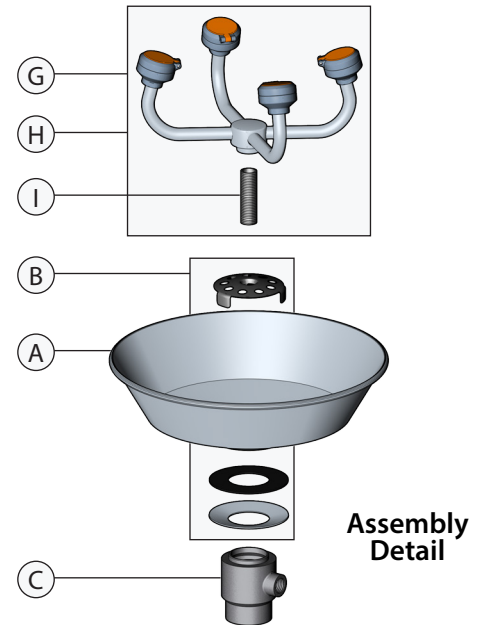


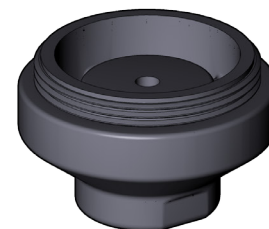
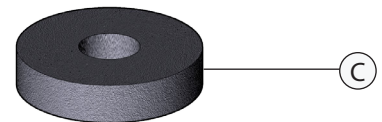
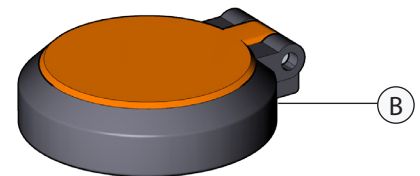
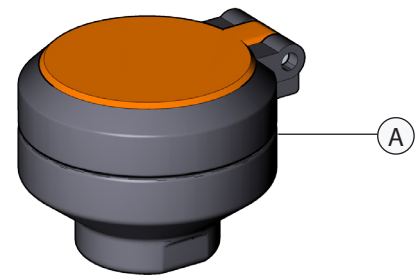
Item	Part Number	Description
<b>Bowls</b>		
A	100-009ORG-R	Orange ABS Plastic Bowl
	100-009GRN-R	Green ABS Plastic Bowl
	100-009YEL-R	Yellow ABS Plastic Bowl
	100-008R	Stainless Steel Bowl
	AP100-011A	Stn. Stl. Flanged Bowl For Deck Mount
<b>Drain Plate Assemblies</b>		
B	AP150-012A	Drain Plate Assembly for Plastic Bowls
	AP150-012B	Drain Plate Assembly for Stainless Bowls
<i>Note: Includes Drain Plate, Cupped Washer, And Gasket</i>		
<b>Waste Receptors</b>		
C	150-014E-2	Cast Aluminum Waste Receptor for Wall Mount Units
	150-066-2	Cast Aluminum Waste Receptor for Pedestal Units
<b>Ball Valve Assemblies</b>		
D	AP600-101H	1/2" IPS Stay-Open Chrome Plated Brass Ball Valve with Flag Handle, Horizontal
	AP600-101V	1/2" IPS Stay-Open Chrome Plated Brass Ball Valve with Flag Handle, Vertical
	AP600-101H-HFC	1/2" IPS Stay-Open Chrome Plated Brass Ball Valve with Flag Handle, for Hand/Foot Control, Horizontal
	AP600-101V-HFC	1/2" IPS Stay-Open Chrome Plated Brass Ball Valve with Flag Handle, for Hand/Foot Control, Vertical
	AP600-104	1/2" IPS Brass Stay-Open Ball Valve, Push-Down Control
E	AP050-010	Stainless Steel Foot Treadle and Return Spring with Aluminum Clevis Pin
F	150-032	Powder Coated Cast Aluminum Floor Flange, 1-1/4" NPT Female Connection
G	AP470-001	GS-Plus™ Spray Head Assy.
H	AP470-120R	(4) GS-Plus™ Spray Heads with Chrome Plated Brass Fittings
I	BI136-02-04	3/8" IPS X 2-1/4" Brass Shank



This WaterSaver product is equipped with GS-Plus™ spray heads. Each head features:

- Tough polypropylene plastic construction
- Highly visible integrated nylon dust cover
- Easily accessible 1.8 GPM flow control
- Dense (60 pore per inch) polyurethane filter
- Unique design provides a consistently soft, full spray of water across a range of working pressures from 30 to 100 PSI.

Item	Part Number	Description
A	AP470-001	GS-Plus™ Spray Head (assembled)
B	AP470-002R	Dust Cover and Cap Assembly
C	470-004R	60 PPI Polyurethane Filter
D	470-005R	1.8 GPM Flow Control



**IMPORTANT**  
In order to operate properly, the flow control must be inserted into the body *concave end first*.

