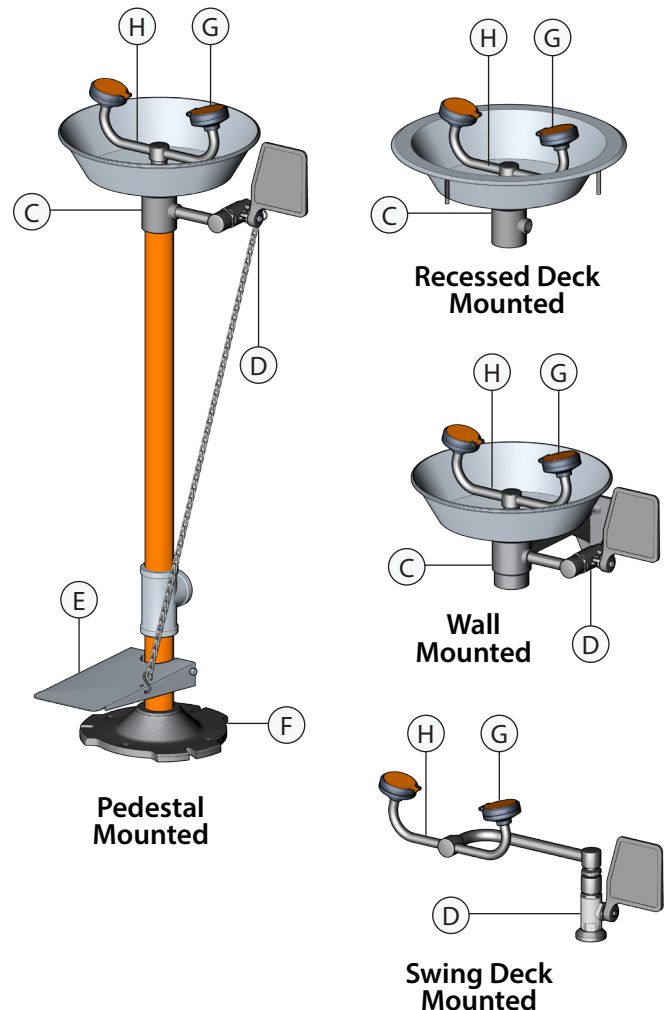
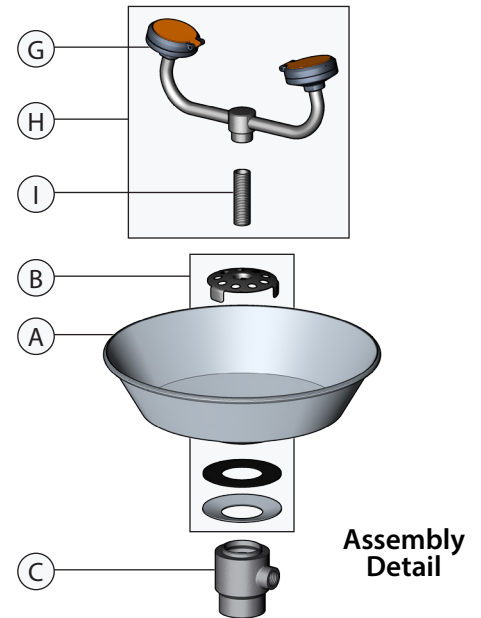


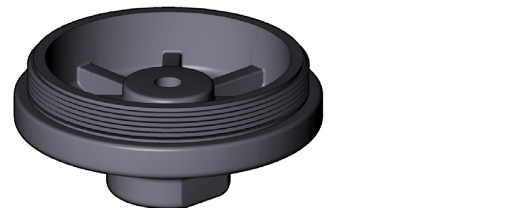
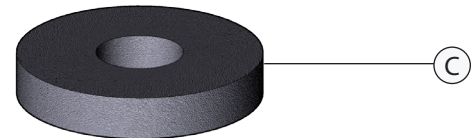
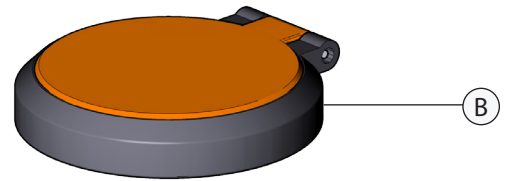
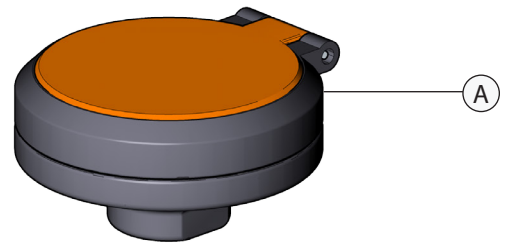
Item	Part Number	Description
Bowls		
A	100-009ORG-R	Orange ABS Plastic Bowl
	100-009GRN-R	Green ABS Plastic Bowl
	100-009YEL-R	Yellow ABS Plastic Bowl
	100-008R	Stainless Steel Bowl
	AP100-011A	Stn. Stl. Flanged Bowl For Deck Mount
Drain Plate Assemblies		
B	AP150-012A	Drain Plate Assembly for Plastic Bowls
	AP150-012B	Drain Plate Assembly for Stainless Bowls
		<i>Note: Includes Drain Plate, Cupped Washer, And Gasket</i>
Waste Receptors		
C	150-014E-2	Cast Aluminum Waste Receptor for Wall Mount Units
	150-066-2	Cast Aluminum Waste Receptor for Pedestal Units
Ball Valve Assemblies		
D	AP600-101H	1/2" IPS Stay-Open Chrome Plated Brass Ball Valve with Flag Handle, Horizontal
	AP600-101V	1/2" IPS Stay-Open Chrome Plated Brass Ball Valve with Flag Handle, Vertical
	AP600-101H-HFC	1/2" IPS Stay-Open Chrome Plated Brass Ball Valve with Flag Handle, for Hand/Foot Control, Horizontal
	AP600-101V-HFC	1/2" IPS Stay-Open Chrome Plated Brass Ball Valve with Flag Handle, for Hand/Foot Control, Vertical
	AP600-104	1/2" IPS Brass Stay-Open Ball Valve, Push-Down Control
E	AP050-010	Stainless Steel Foot Treadle and Return Spring with Aluminum Clevis Pin
F	150-032	Powder Coated Cast Aluminum Floor Flange, 1-1/4" NPT Female Connection
G	AP470-021	FS-Plus™ Spray Head Assy.
H	AP470-110R	(2) FS-Plus™ Spray Heads with Chrome Plated Brass Fittings
I	BI136-02-04	3/8" IPS X 2-1/4" Brass Shank



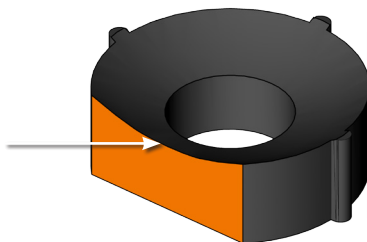
This WaterSaver product is equipped with FS-Plus™ spray heads. Each head features:

- Tough polypropylene plastic construction
- Highly visible integrated nylon dust cover
- Easily accessible 3.2 GPM flow control
- Dense (60 pore per inch) polyurethane filter
- Unique design provides a consistently soft, full spray of water across a range of working pressures from 30 to 100 psi.

Item	Part Number	Description
A	AP470-021	FS-Plus™ Spray Head (assembled)
B	AP470-022R	Dust Cover and Cap Assembly
C	470-024R	60 PPI Polyurethane Filter
D	470-025R	3.2 GPM Flow Control



IMPORTANT
In order to operate properly, the flow control must be inserted into the body *concave end first*.

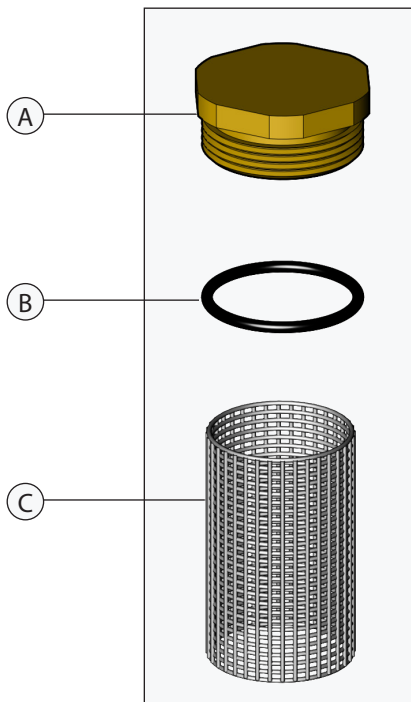


To perform weekly cleaning of the strainer:

1. Unscrew the strainer bonnet (a).
2. Inspect the o-ring (b) for damage. Replace if needed.
3. Remove cylindrical screen (c) and rinse under clean water. Gently rub the screen until all debris has been removed.
4. Carefully reinsert screen into the counterbore within the strainer body (should fit snugly).
5. Replace strainer bonnet and test for proper operation of strainer and eye wash.

Important:

All emergency equipment must be inspected and tested at least weekly to ensure proper operation. On units equipped with an in-line strainer, weekly inspection should also include checking the strainer for accumulation of debris or foreign matter. Such debris can impair the flow of water through the strainer and prevent the eye wash from functioning properly.



RK400-013
Repair Kit for Inline Strainer
consisting of bonnet,
O-Ring and
50 Mesh Cylindrical Screen

AP400-013
In-Line Strainer Assembly

