

## PA062 Press-In Index Button



WaterSaver Faucet Co. has been manufacturing specialized faucets, valves and related products for laboratory use for 75 years. For all of these years, we have used a colored index button that threads into the top of the handle on our fittings. This design provides excellent visibility of the service of the fixture and is easy to remove for swapping out and replacing when required.

The one annoying feature of this design is that the lettering on the button is not aligned with the axis of the fixture or the handle. This is particularly noticeable and bothersome when our valves are installed on fume hoods. The symbol on the button is rarely horizontal or aligned with the other valves on the hood.

The time has come to address this nuisance. We are therefore pleased to introduce a press-in index button for our fume hood valves. The press-in button can be aligned as desired on the valve.

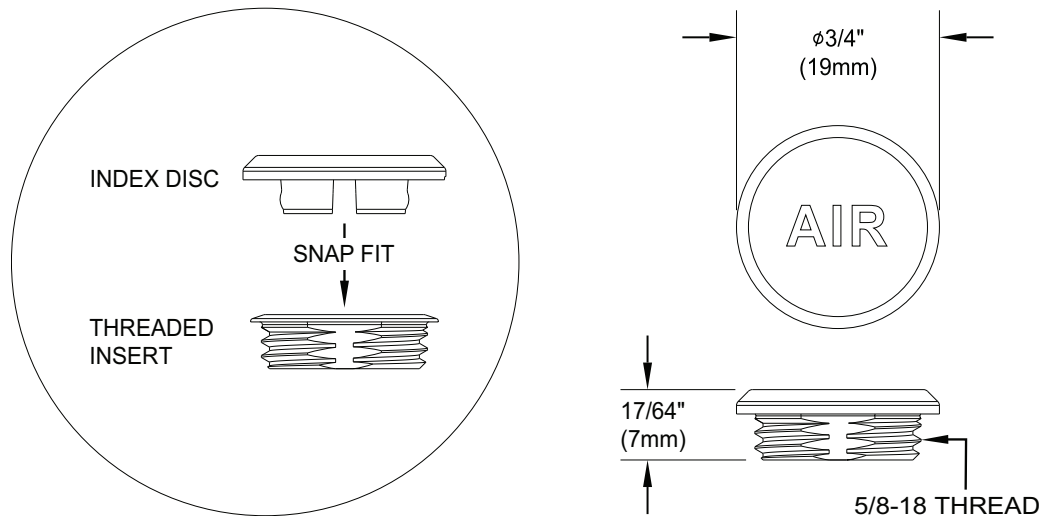
Our new press-in index button is a two-piece design. A threaded insert is screwed into the thread that is machined or molded into the handle. A second top piece snaps into the threaded insert. The top piece can be aligned in any orientation desired.

Because the new index button threads into the handle, it can be retrofitted onto any WaterSaver fixture in use anywhere.

Effective June 1, 2021, all fume hood valves will be supplied with the new press-in index button as standard. However, the press-in button can be supplied at no additional cost on any fixture. Ultimately, the new press-in button will be supplied as standard on all WaterSaver fixtures.

Please do not hesitate to contact us should you desire samples of the new index button, require any additional information or if we can be of assistance in any way.

### PA062 Press-In Index Button



WaterSaver's standard index buttons are listed below. When ordering, specify the item number and service. For services not listed below, refer to the WaterSaver website or contact our factory.

Service	Item No.	Index Color	Letter Color	Service
Air	PA062ORG	Orange	Black	AIR
Carbon Dioxide	PA062PNK	Pink	Black	CO2
Cold Water	PA062GRN	Green	White	CW
Deionized Water	PA062WHT	White	Black	DW
Distilled Water	PA062WHT	White	Black	DI
Gas	PA062BLU	Blue	White	GAS
Hot Water	PA062RED	Red	White	HW
Hydrogen	PA062PNK	Pink	Black	HYD
Nitrogen	PA062BRN	Brown	White	NIT
Nitrogen	PA062GRY	Gray	Black	NIT
Oxygen	PA062LGRN	Lt. Green	Black	OXY
Reverse Osmosis Water	PA062WHT	White	Black	RO
Steam	PA062BLK	Black	White	STM
Vacuum	PA062YEL	Yellow	Black	VAC

*Note: When replacing the index button on a valve or fixture, it is important to verify that the valve or fixture is appropriate for the intended service. For example:*

- \* Valves for oxygen, hydrogen and high purity gases must be specially cleaned, lubricated and packed. Valves that have not been specially cleaned are not acceptable.
- \* Needle valves should be used for laboratory gas service only. They are not suitable for water or steam service.
- \* Valves for ammonia and acetylene must be stainless steel.
- \* Do not exceed the maximum rated working pressure of the valve.