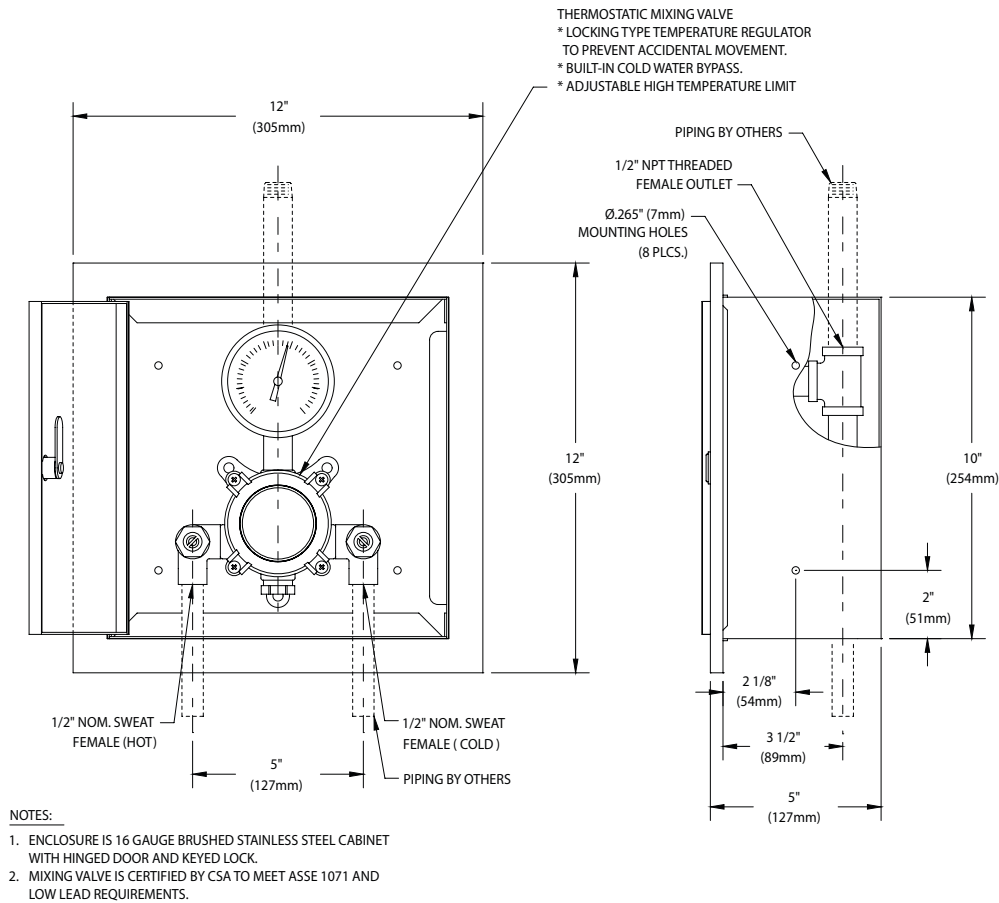


AP3607 Tempering Valve, 6 Gallon Capacity, Recessed Stainless Steel Cabinet



- As with all plumbing devices and emergency equipment, thoroughly flush supply lines prior to and after installation.
- Install cabinet in wall via outer mounting holes on back wall (or mounting holes on side walls) of cabinet. Thread tempering valve securely onto mounting bracket. Install valve and bracket via three inner mounting holes on back wall of cabinet. Valve must be installed in a location where it is readily accessible for inspection, cleaning and maintenance.
- Connect hot and cold water supply lines to valve. Connect outlet line to valve and then to inlet of emergency equipment.
- Activate the water flow and check the temperature of the water delivered from the tempering valve and emergency equipment. Note that the temperature control knob on the tempering valve has

been factory preset to deliver 85°F (29°C) tepid water and the high temperature limit stop has been factory preset at 90°F (32°C). These temperatures are based upon an incoming hot water supply at 135°F (57°C). *Note: If the incoming hot water temperature is higher than 135°F (57°C), the valve (when turned to full hot) will deliver water that is warmer than 90°F (32°C). In this case, the high temperature limit stop must be reset by the installer.*

- To reset the high temperature limit stop:

- Remove knob, retaining ring, loosen set screw, and remove the limit stop.
- Activate the emergency fixture.
- Replace knob on valve stem and rotate the valve stem counterclockwise to reach the desired maximum temperature. *Note: Temperatures above 90°F are not recommended. Consult a medical advisor for correct temperature settings.*
- Replace the limit stop such that it rests against the web on the left side of the valve cover (i.e. the valve stem cannot be rotated counterclockwise any further).
- Tighten set screw and replace the retaining ring and knob.

THIS SPACE FOR ARCHITECT/ENGINEER APPROVAL

Due to continuing product improvement, the information contained in this document is subject to change without notice. All dimensions are ± 1/4" (6mm). Rev. 042020