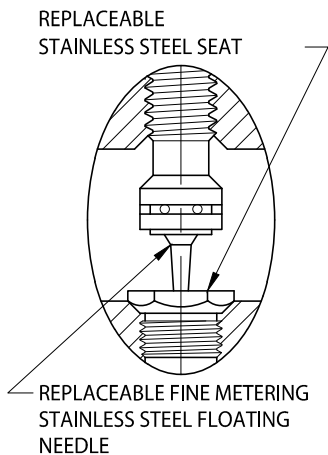
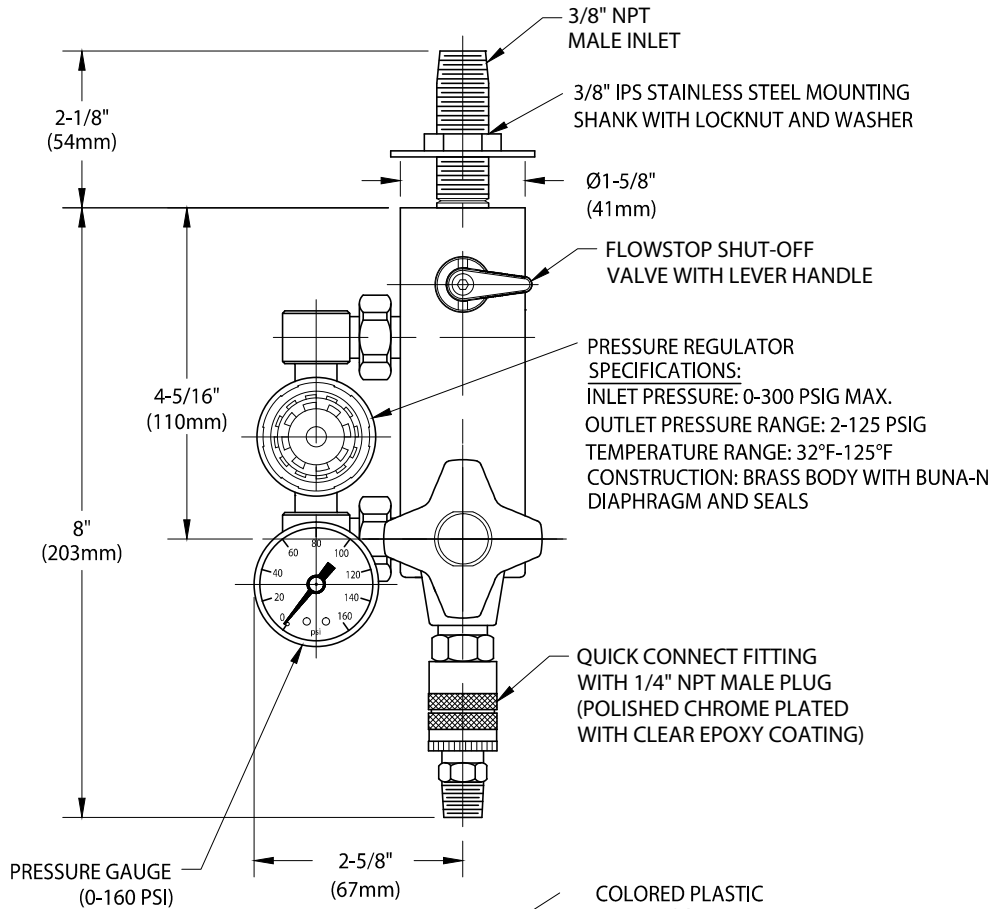




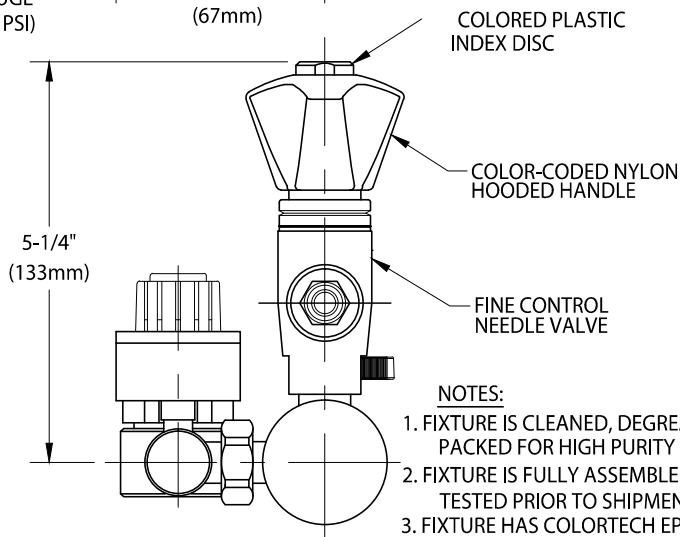
CT3173-771WSA

PRESSURE REGULATOR FIXTURE, HIGH PURITY GASES, OVERHEAD CARRIER MOUNTED SINGLE

THIS FIXTURE IS FOR USE ON HIGH PURITY GAS SYSTEMS, INCLUDING OXYGEN. THE FOLLOWING GASES MAY BE USED WITH THIS FIXTURE: AIR, ARGON, CARBON DIOXIDE, HELIUM, NITROGEN, NITROUS OXIDE AND OXYGEN. DO NOT USE WHERE PRESSURE OR TEMPERATURE CAN EXCEED RATED OPERATING CONDITIONS.



MEASUREMENTS MAY VARY ±1/4" (6mm).



NOTES:

1. FIXTURE IS CLEANED, DEGREASED AND PACKED FOR HIGH PURITY GAS SERVICE.
2. FIXTURE IS FULLY ASSEMBLED AND FACTORY TESTED PRIOR TO SHIPMENT.
3. FIXTURE HAS COLORTECH EPOXY POWDER COATED FINISH. SPECIFY COLOR (WHITE, GRAY OR TAN) WHEN ORDERING.