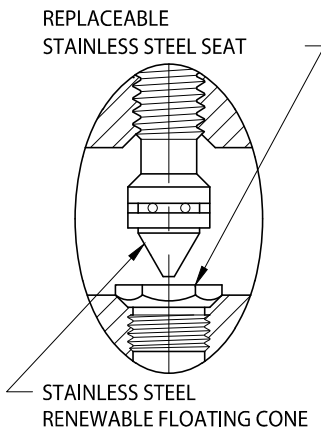
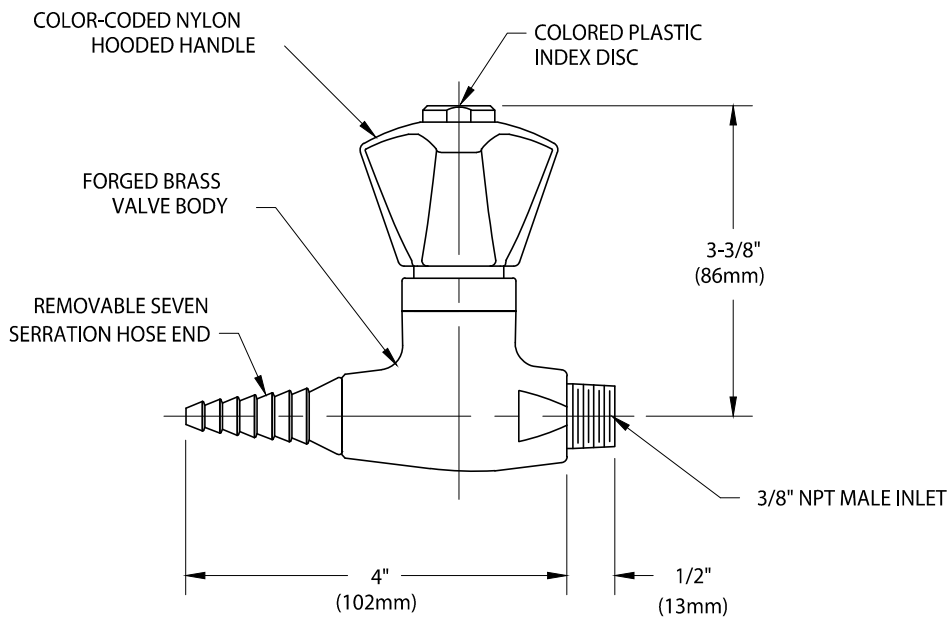




CT2880

STRAIGHT PATTERN NEEDLE VALVE



MEASUREMENTS MAY VARY $\pm 1/4"$ (6mm).

WaterSaver Faucet Co. 312 666 5500 t
701 West Erie Street 312 666 5501 f
Chicago, IL 60654 wsflab.com

Drawing Number:

Revised: 121712-TEC



NOTES:

1. VALVE IS CERTIFIED BY CSA INTERNATIONAL TO COMPLY WITH ANSI Z21.15 AND CGA 9.1.
2. FIXTURE IS FULLY ASSEMBLED AND FACTORY TESTED AT 250 PSI NITROGEN PRESSURE. MAXIMUM WORKING PRESSURE IS 150 PSI.
3. SPECIFY IF CLEANING FOR OXYGEN AND HIGH PURITY GASES IS REQUIRED.
4. VALVE HAS COLORTECH EPOXY POWDER COATED FINISH. SPECIFY COLOR (WHITE, GRAY OR TAN) WHEN ORDERING.